

Design: Nigel Sikora

Materials

Frame

Base plate in mat black (RAL 7021)

Fabrics

Blazer Lite - Camira (Band 3)

Blazer - Camira (Band 3)

Options

3 different lengths (300 mm, 600 mm or 1200 mm)

2 different heights (200 mm or 400 mm)

90° corner bricks.

Class A sound absorption available.

Tested according to ISO 10053:1993 and BS EN ISO 354:2003.

Notes

The award winning Fabricks can quickly be configured and reconfigured to flexibly change open plan spaces.

Fabricks offer acoustic and visual privacy without building permanent floor to ceiling walls.

Quality and Environment

At Four Design, we are aware of our environmental responsibility.

We strive to reduce our company, and our customer's impact on the environment by producing quality furniture in a sustainable manner.

Procurement

We procure materials from responsible suppliers who comply with our high standards, ensuring that the materials are sustainably sourced and managed, conforming to applicable laws and regulations such as legal logging and chemical restrictions.

Production

We are ISO14001 certified, guaranteeing excellent environmental standards of our manufacturing sites.

Use

Four Design provides a 5-year warranty on all products within our price list. This warranty covers breakage and damage of products occurring because of deficient craftsmanship performance under normal use. The warranty shall lapse if the product shows signs of mishandling abuse or other physical damage. The warranty does not cover those parts of the product which are exposed to abrasion during use.

We kindly refer to our Maintenance Guide: http://www.fourdesign.dk/pdf/Maintenance_Guide.pdf

Recycling

We are working towards the aim for all our products to be minimum 95% recyclable.

Products must be separated into their components and disposed of separately.

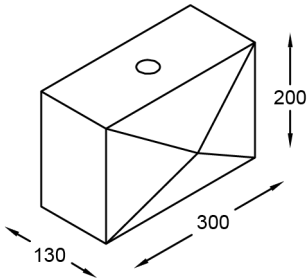
All metal parts can be disposed of and recycled by an approved organisation. Lacquered frames are treated with a paint classified as not dangerous according to directive 1999/45/EF.

Wood can either be recycled or incinerated.

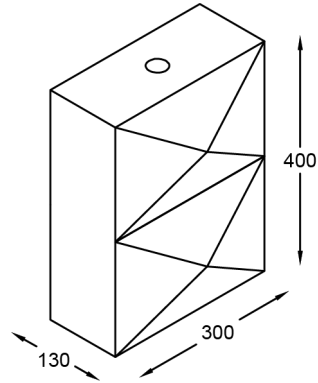
Plastic shells can be recycled. The shell will be granulated and reused in new plastic production.

Upholstery and veneer shells are not recyclable but can be disposed of by incineration.

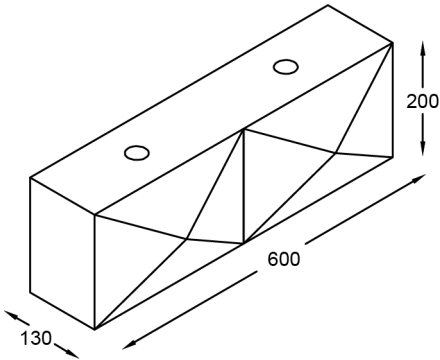
FAB3D0000



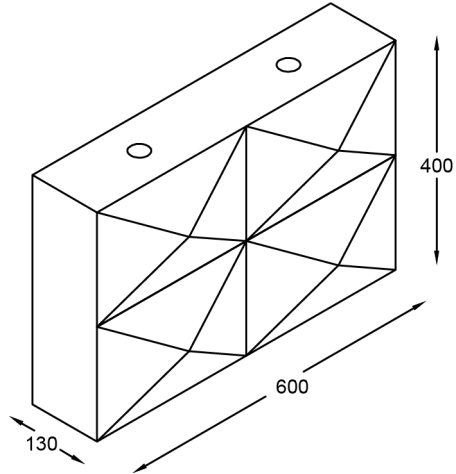
FAB3D0001



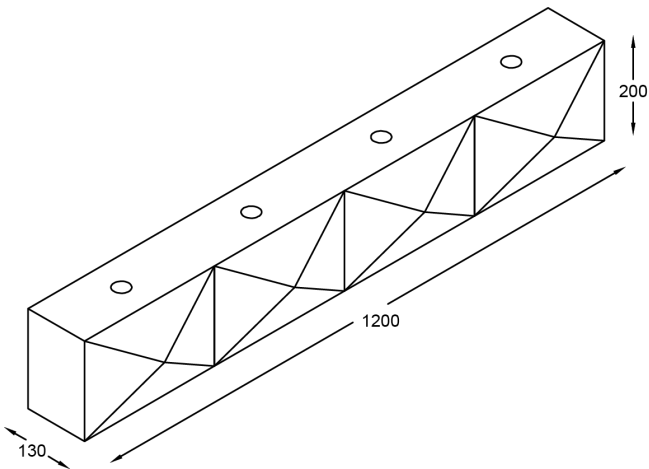
FAB3D0002



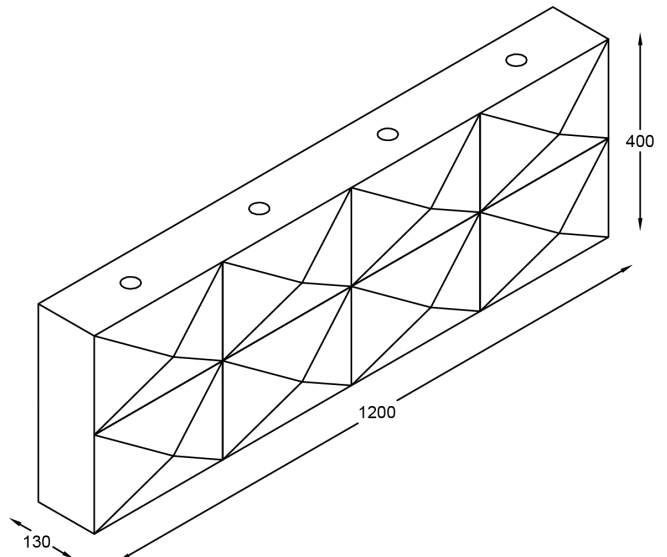
FAB3D0003



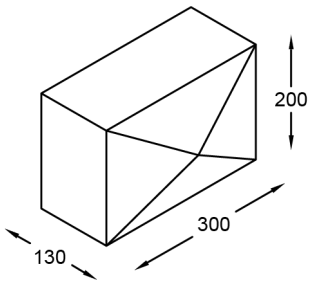
FAB3D0004



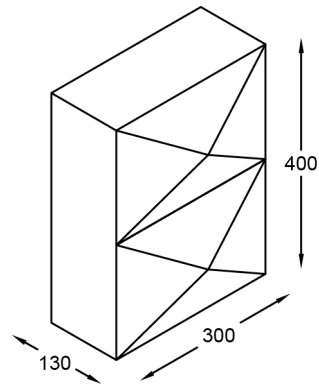
FAB3D0005



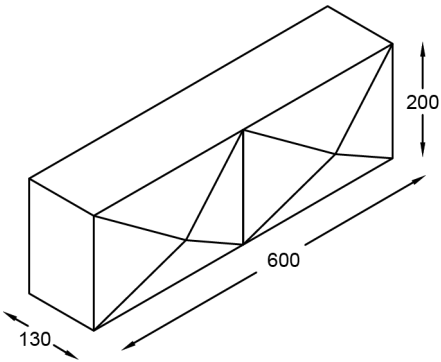
FAB3D0100



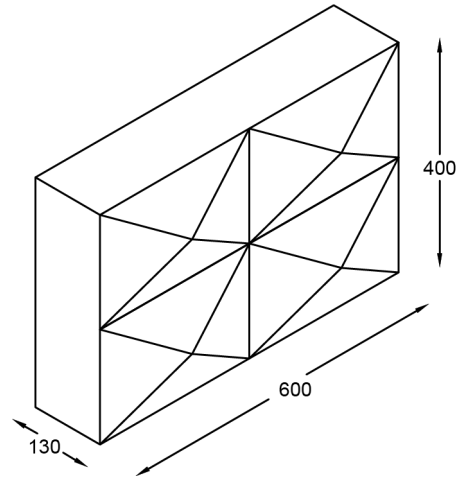
FAB3D0101



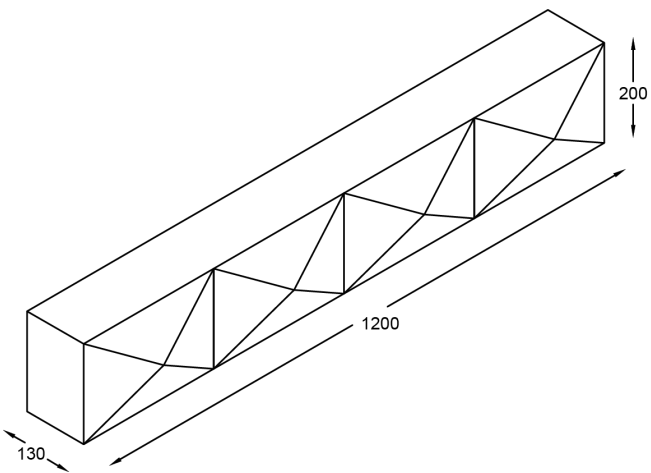
FAB3D0102



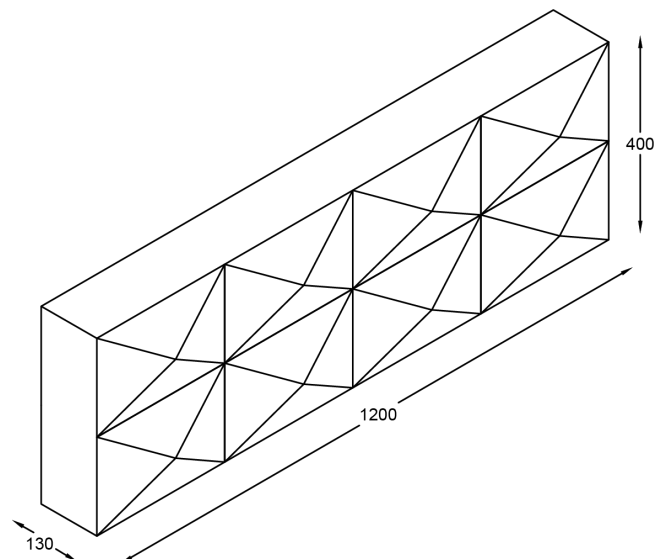
FAB3D0103



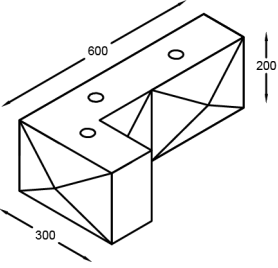
FAB3D0104



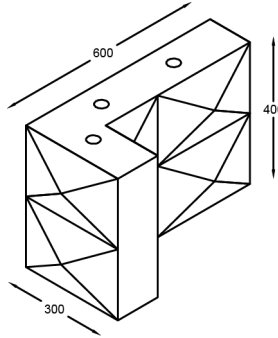
FAB3D0105



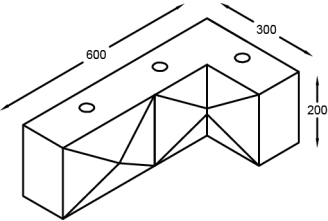
FAB3D0206



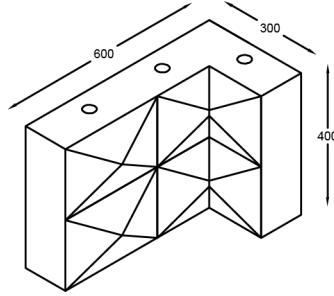
FAB3D0207



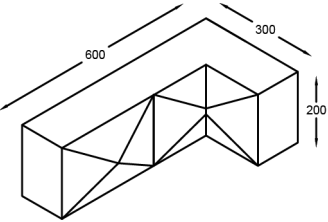
FAB3D0208



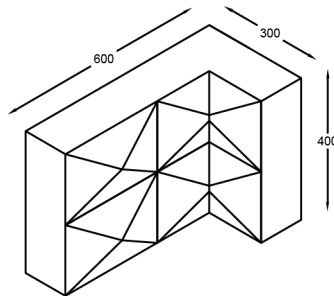
FAB3D0209



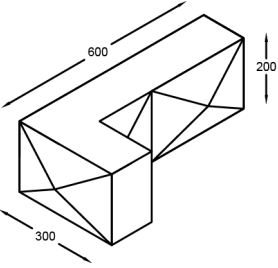
FAB3D0308



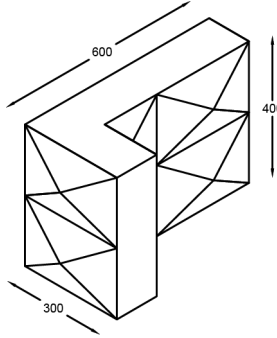
FAB3D0309



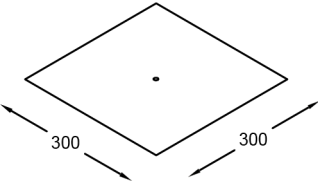
FAB3D0406



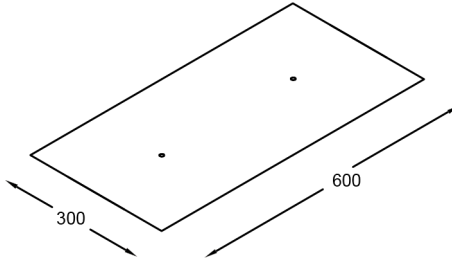
FAB3D0407



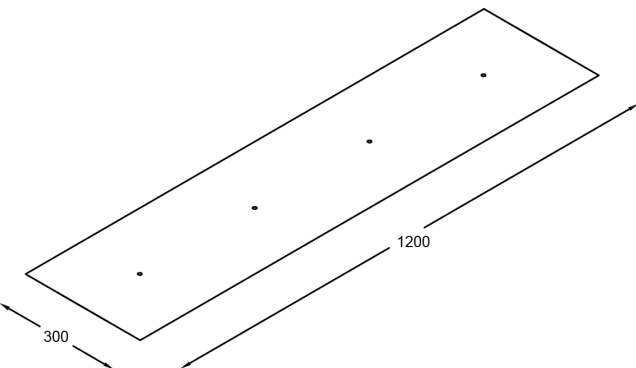
FABBP0615



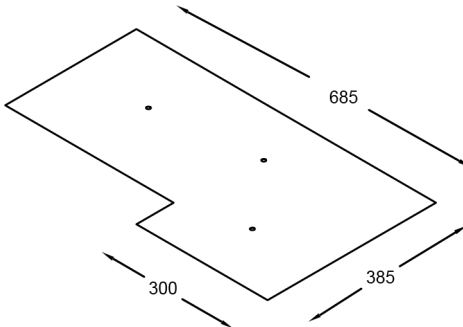
FABBP0616



FABBP0617

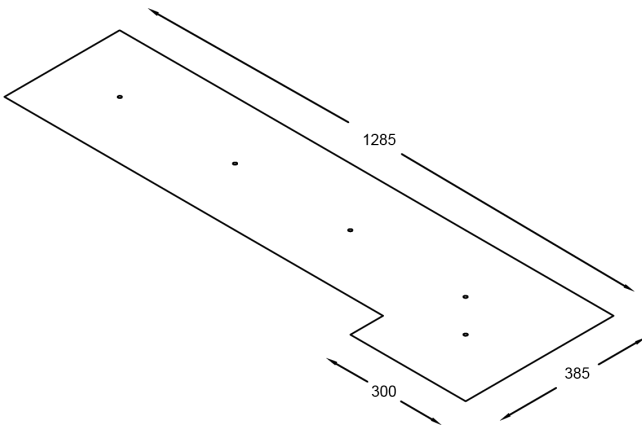


FABBP0718

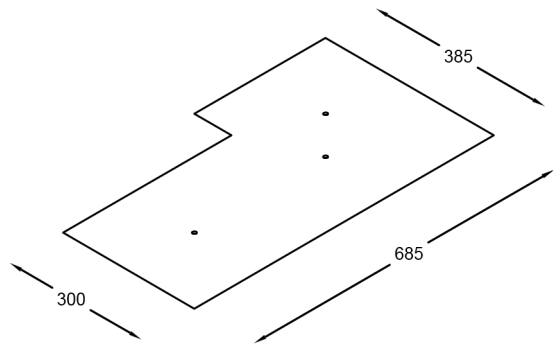


Design: Nigel Sikora

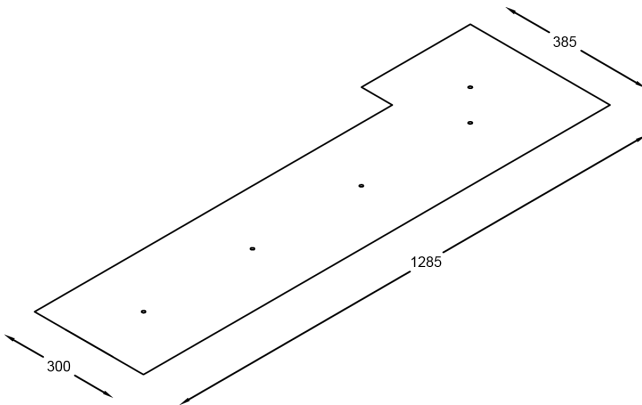
FABBP0719



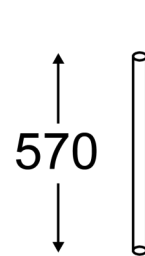
FABBP0818



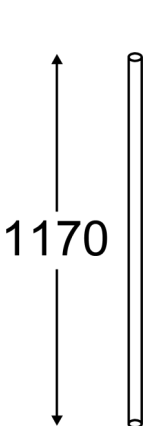
FABBP0819



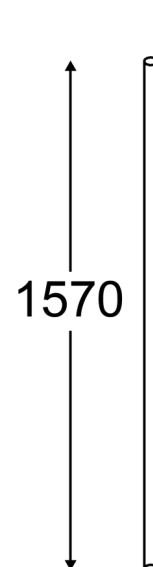
FABVP0510



FABVP0511

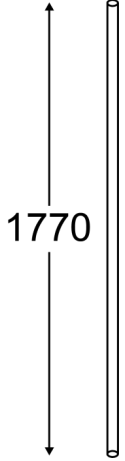


FABVP0512



Design: Nigel Sikora

FABVP0513



FABVP0514

