

Design: Roger Webb Associates

Shell colour



OAK VENEER



BLACK STAINED OAK

Frame colour



MAT BLACK



MAT GREY



MAT WHITE

Options

Upholstery: Inside upholstery / fully upholstered

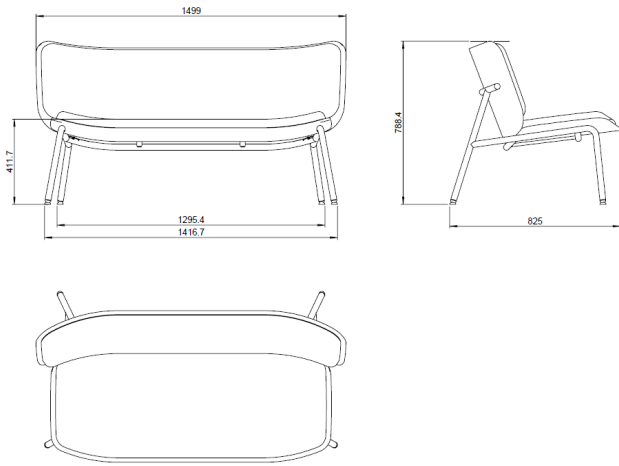
Glides: Teflon / Felt / Noise reducing

Note

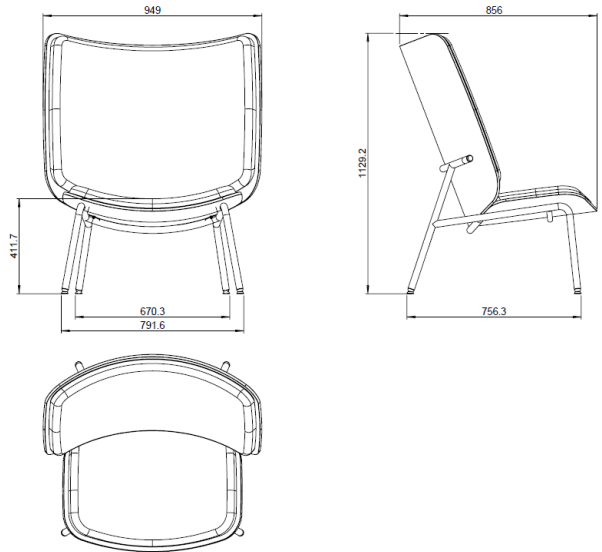
Meets the REACH directives and are halogen free.

Design: Roger Webb Associates

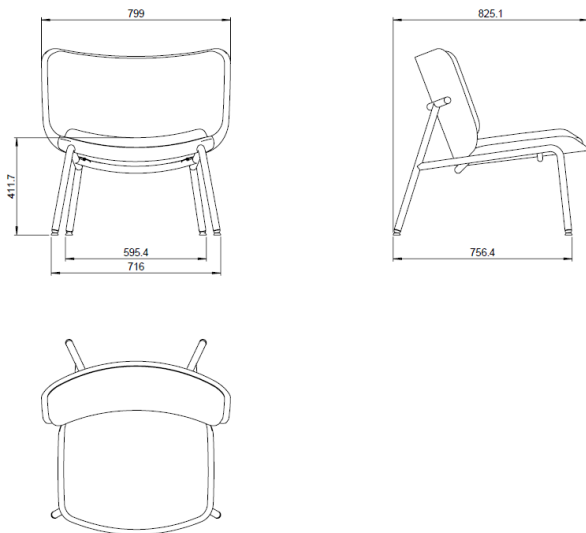
FourAll 2-seater



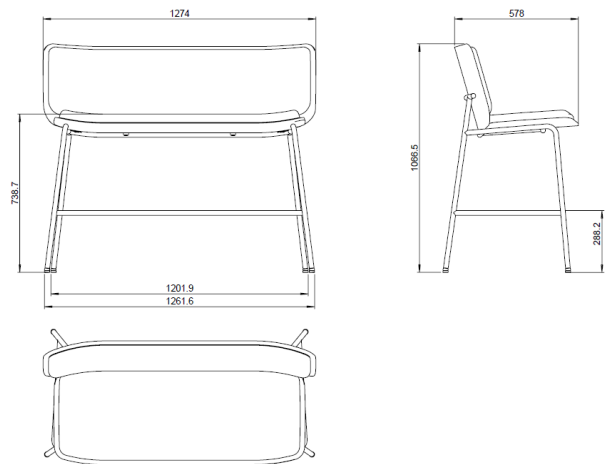
FourAll High back



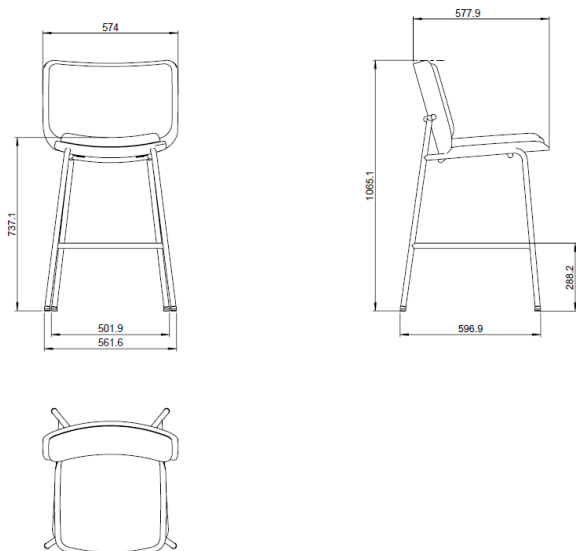
FourAll Low back



FourAll Stool 2-seater



FourAll Stool



Design: Roger Webb Associates

Materials

Shell

Foam: Type CMHR-65H eco-tex standard 100 and The Furniture and Furnishings (Fire) (Safety) Amended Regulations 1989 Schedule 1, Part 1.

Glue Foam: SABA Activator 3739, Aquabond RSD 3801 blue.

Foam thickness:

Seat 12 mm.

Inside upholstery 48 mm.

Fully upholstered 63 mm.

Frame, Steel

Tube: Ø28,58 X 2 mm, Ducol 500

Glides (standard): PA

About 50 percent of the total EU steel production is derived from recycled steel.

Weight and dimensions

FourAll 2-seater: 21.2 kg

FourAll High Back: 16.4 kg

FourAll Low Back: 12.1 kg

FourAll Stool 2-seater: 19.6 kg

FourAll Stool: 11.1 kg

Quality and environment

At Four Design, we are aware of our environmental responsibility.

We strive to reduce our company, and our customer's impact on the environment by producing quality furniture in a sustainable manner.

Procurement

We procure materials from responsible suppliers who comply with our high standards, ensuring that the materials are sustainably sourced and managed, conforming to applicable laws and regulations such as legal logging and chemical restrictions.

Production

We are ISO14001 certified, guaranteeing excellent environmental standards of our manufacturing sites.

Use

Four Design provides a 5-year warranty on all products within our price list. This warranty covers breakage and damage of products occurring because of deficient craftsmanship performance under normal use. The warranty shall lapse if the product shows signs of mishandling abuse or other physical damage. The warranty does not cover those parts of the product which are exposed to abrasion during use.

We kindly refer to our Maintenance Guide: http://www.fourdesign.dk/pdf/Maintenance_Guide.pdf

Recycling

We are working towards the aim for all our products to be minimum 95% recyclable.

Products must be separated into their components and disposed of separately.

All metal parts can be disposed of and recycled by an approved organisation. Lacquered frames are treated with a paint classified as not dangerous according to directive 1999/45/EF.

Wood can either be recycled or incinerated.

Plastic shells can be recycled. The shell will be granulated and reused in new plastic production.

Upholstery and veneer shells are not recyclable but can be disposed of by incineration.