

FourUs® Worx

EN

Design: Anders Nørgaard

Table top finishes



BLACK ARPA FENIX
0720



WARM GREY ARPA
FENIX 0718



ANTHRACITE ARPA
FENIX 0724

Frame colours



MAT BLACK



MAT GREY



MAT WHITE



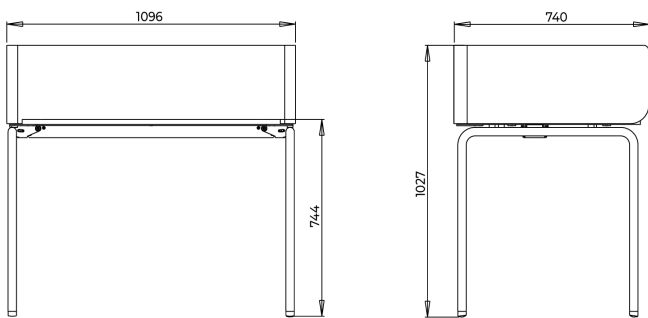
CHROME

FourUs[®] Worx

EN

Design: Anders Nørgaard

FourUs Worx



FOUR
DESIGN


AN OCEE
INTERNATIONAL
COMPANY

Design: Anders Nørgaard

Materials

Table top variants

Chip board with Fenix laminate and ABS edge.
Thickness 19 mm.
FSC certified.

Frame

Construction: Pine frame
Legs: Form 220C, EN 10305-3
Beam: Aluminium, EN AW-5754
Bracket for table top: Carbon steel
Folding device: Domex 240 – FE 360 D2 steel
Rubber buffer: EPDM rubber
Spacer: PP
Glue: SIMALFA 321
Foam: Type HR3030
Complies with the REACH and RoHS directives, and
The Furniture and Furnishings (Fire) (Safety) Amended
Regulations 1989 Schedule 1, Part 1.

Fasteners

Screw: Ø6,2x16
Screw: M5x20 chipboard screw, Torx
Screw: M8x35 flat countersunk head, hexagon socket
Screw: M6x16, button head, hexagon socket
Nut: M10 with clamb
Spring washer: 10x20

Instructions

Assembly instructions can be found at
www.fourdesign.dk under FourUs Worx.

Weight and dimensions

110x74xH100 cm: 28 kg

Quality and Environment

At Four Design, we are aware of our environmental responsibility.
We strive to reduce our company, and our customer's impact on the environment by producing quality furniture in a sustainable manner.

Procurement

We procure materials from responsible suppliers who comply with our high standards, ensuring that the materials are sustainably sourced and managed, conforming to applicable laws and regulations such as legal logging and chemical restrictions.

Production

We are ISO14001 certified, guaranteeing excellent environmental standards of our manufacturing sites.

Use

Four Design provides a 5-year warranty on all products within our price list. This warranty covers breakage and damage of products occurring because of deficient craftsmanship performance under normal use. The warranty shall lapse if the product shows signs of mishandling abuse or other physical damage. The warranty does not cover those parts of the product which are exposed to abrasion during use.

We kindly refer to our Maintenance Guide: http://www.fourdesign.dk/pdf/Maintenance_Guide.pdf

Recycling

We are working towards the aim for all our products to be minimum 95% recyclable.
Products must be separated into their components and disposed of separately.
All metal parts can be disposed of and recycled by an approved organisation. Lacquered frames are treated with a paint classified as not dangerous according to directive 1999/45/EF.
Wood can either be recycled or incinerated.
Plastic shells can be recycled. The shell will be granulated and reused in new plastic production.
Upholstery and veneer shells are not recyclable but can be disposed of by incineration.