

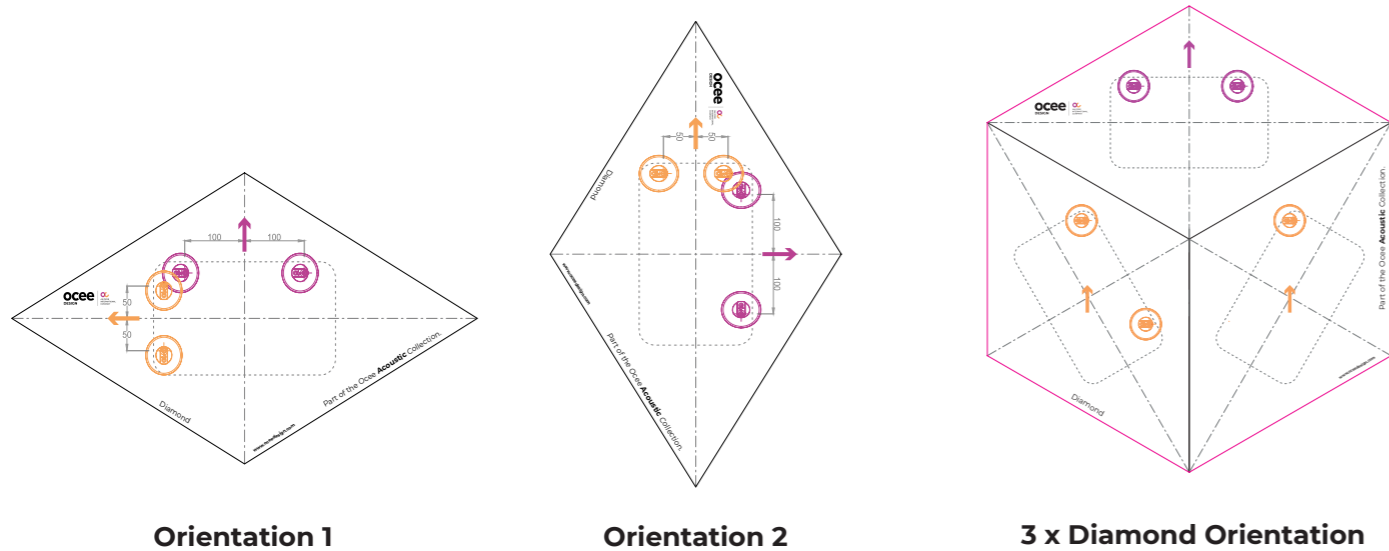
Tessellate

Installation Instructions

Installation Instructions

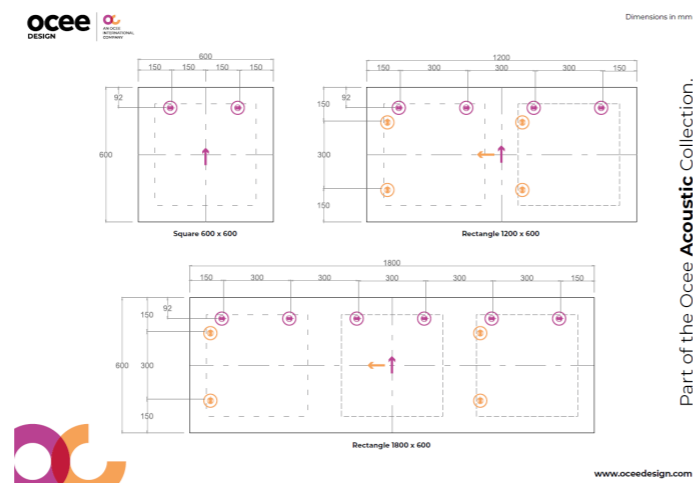
As part of the Tessellate collection Ocee has developed a bespoke and easy wall fixing system. These are included with the panels.

1a. For the Diamond and Trapezium panels a 1:1 scale paper template is provided in each box. This is placed on the wall and the position of the fixing cups can be marked using the templates.



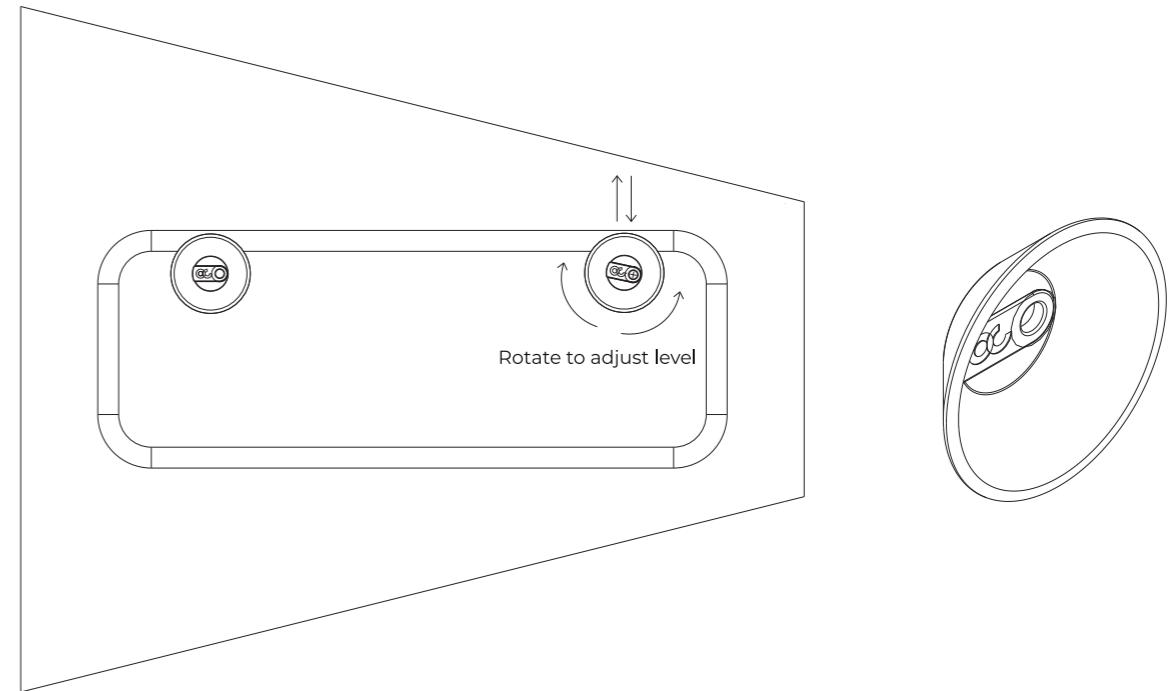
Please note that the panels can be mounted in 2 orientations. The purple cup illustration (**orientation 1**) denotes one orientation and the orange illustration denotes another (**orientation 2**).

1b. For the Rectangular and Square panels an A3 template is provided with dimensions of where the cups should be placed. These should be measured and marked out on the wall.

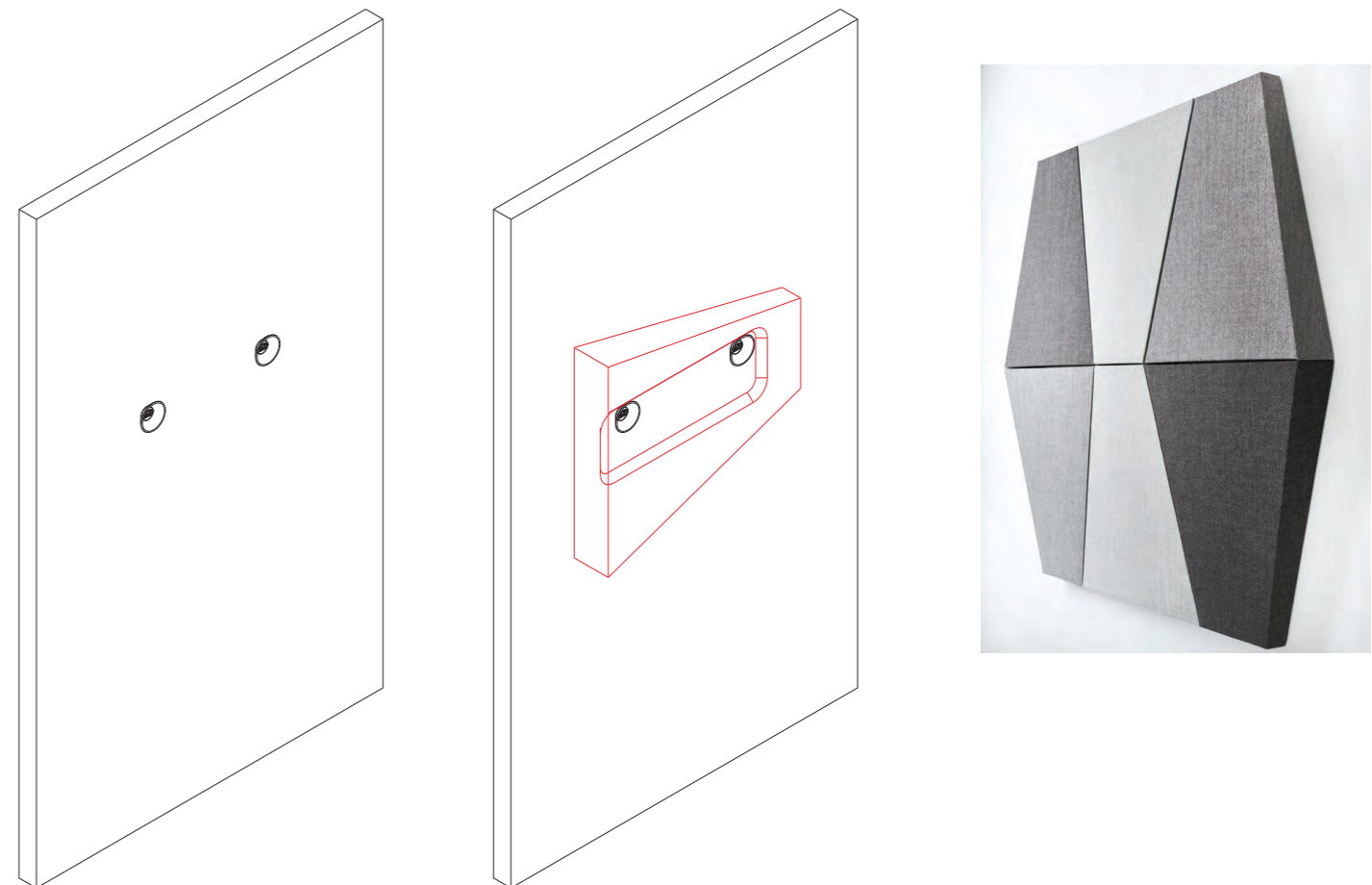


2. Once the fixing points are marked on the wall the cups can be fixed. You will notice that the fixing point is offset to the centre of the cup, this allows the height of the cup to be adjusted.

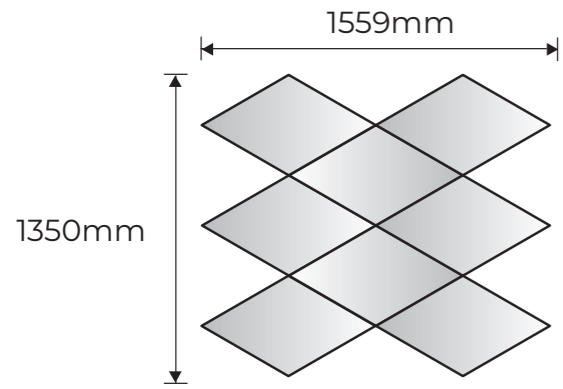
(Please note that fixings to attach the cup to the wall are not included, these are to be provided by the installer depending on the type of wall)



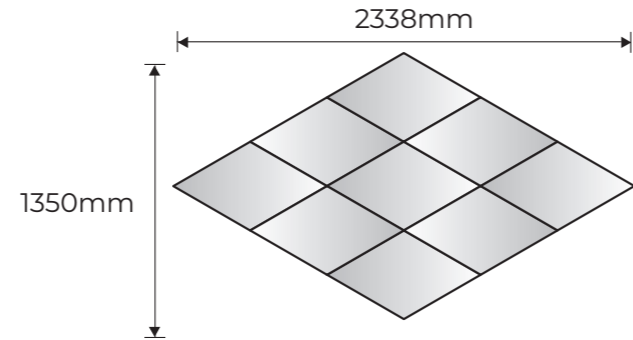
3. Continue to fix the panels until the desired layout is achieved. If any of the panels are positioned incorrectly the panel can be removed and the cup adjusted.



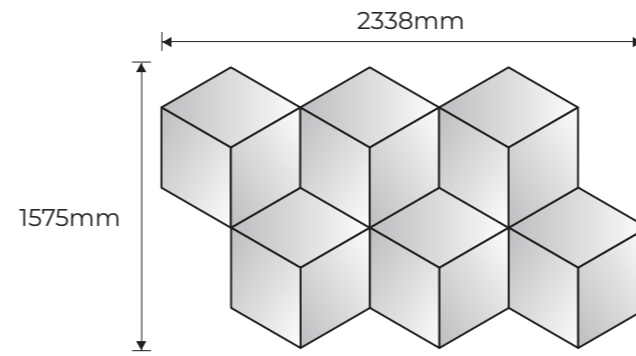
Example Configurations



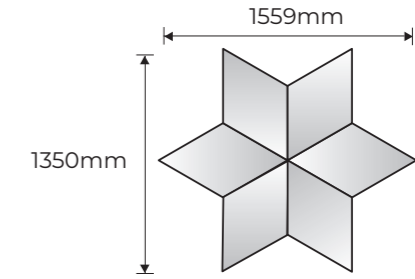
8 X DIA-450780



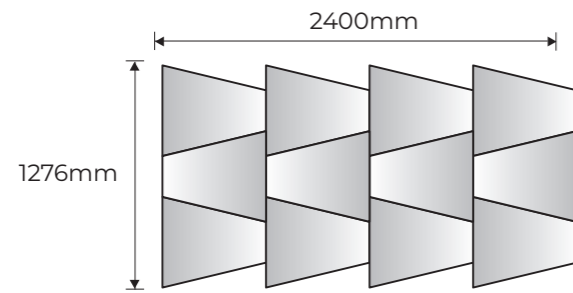
9 X DIA-450780



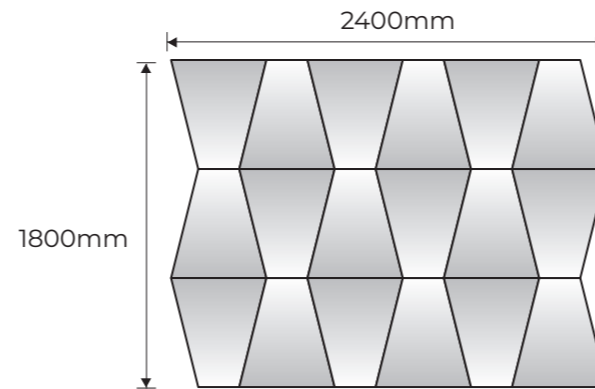
18 X DIA-450780



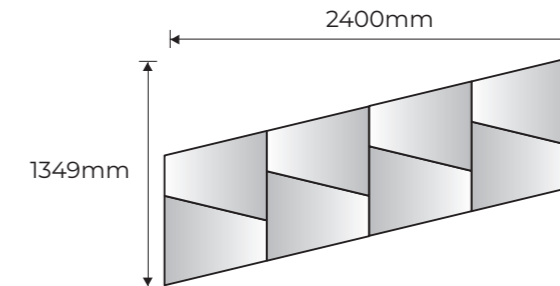
6 X DIA-450780



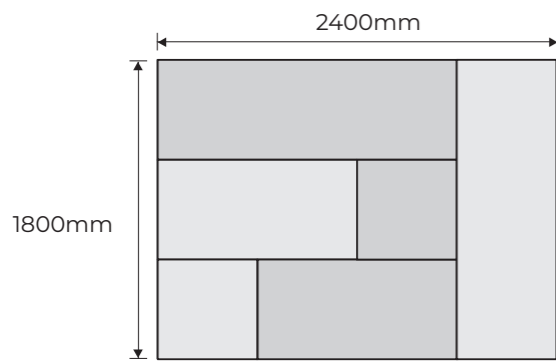
12 X TRA1-526600



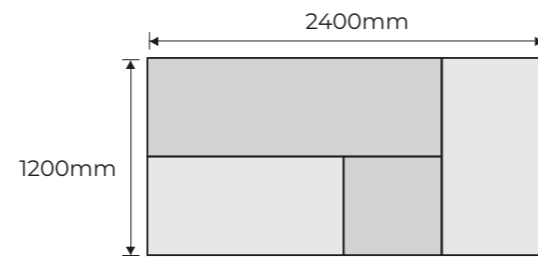
18 X TRA2-526600



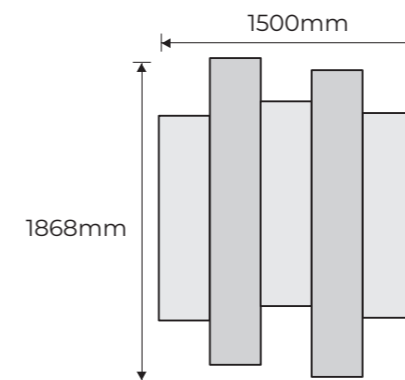
8 X TRA1-526600



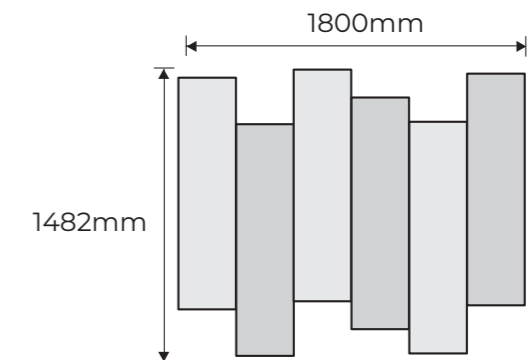
**2 X REC-65-6001200-
2 X REC-65-6001800-
2 X SQU-65-600600-**



**2 X REC-65-6001200-
1 X REC-65-6001800-
1 X SQU-65-600600-**



**3 X REC-65-3001200-
2 X REC-65-3001800-**

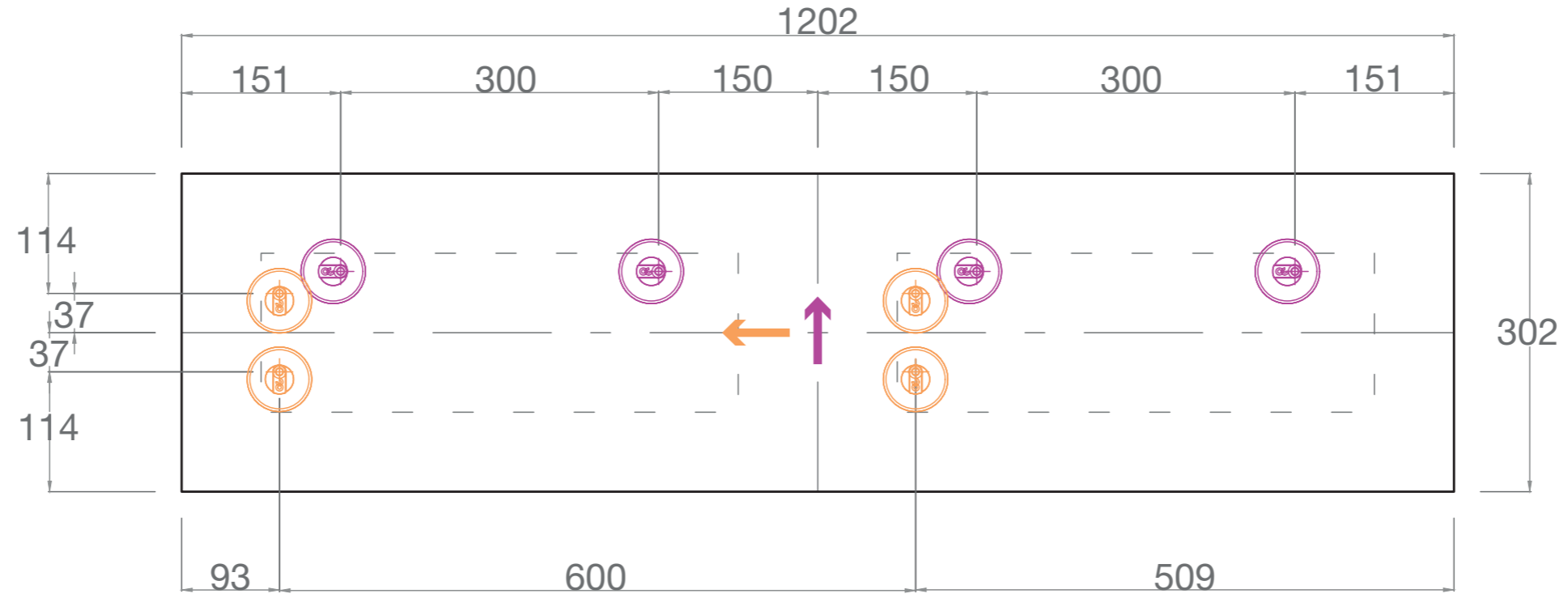


6 X REC-100-3001200

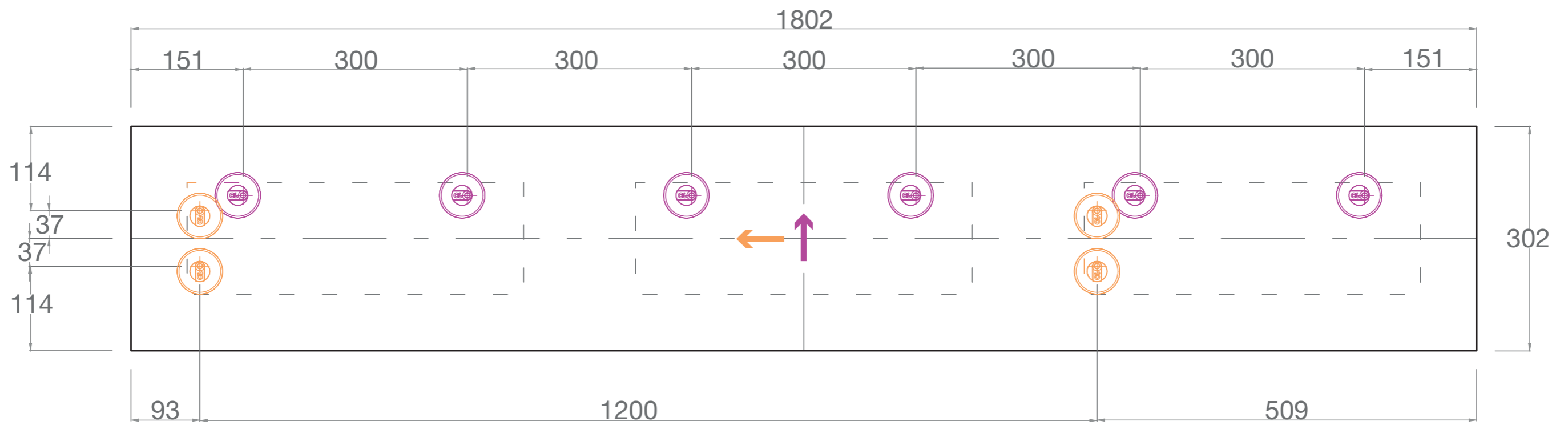
- 3.5kg
DIAMOND
- 3.5kg
TRAPEZIUM
- 4kg
SQUARE 600 x 600 x 65
- 14kg
RECTANGLE 600 x 1800 x 100

All measurement are in mm and are approximate
Prior to install the surface of the wall must be determined as
this could affect fixings or configurations
Please see page 132 for details on site surveys





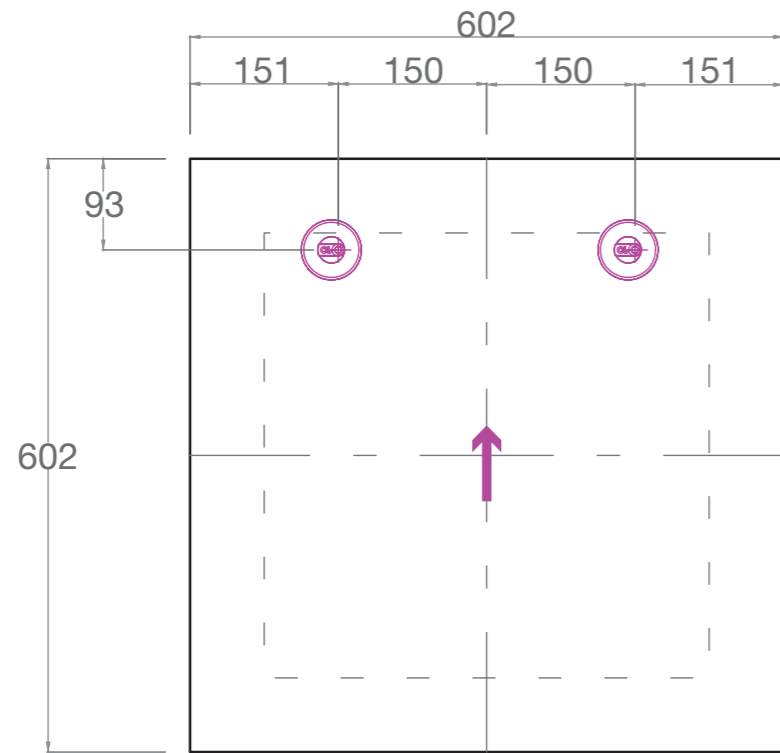
Rectangle 1200 x 300



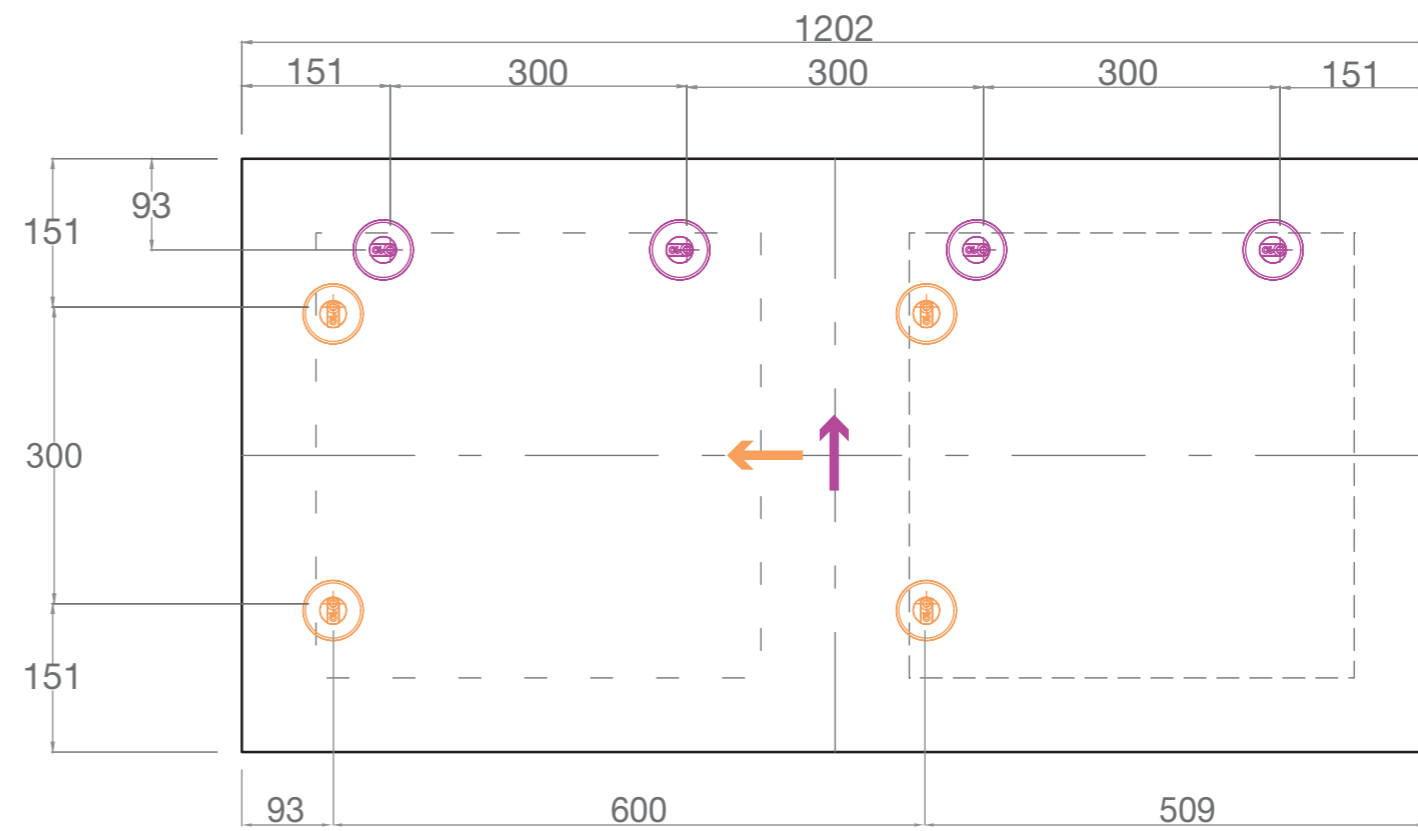
Rectangle 1800 x 300

Part of the Ocee **Acoustic** Collection.

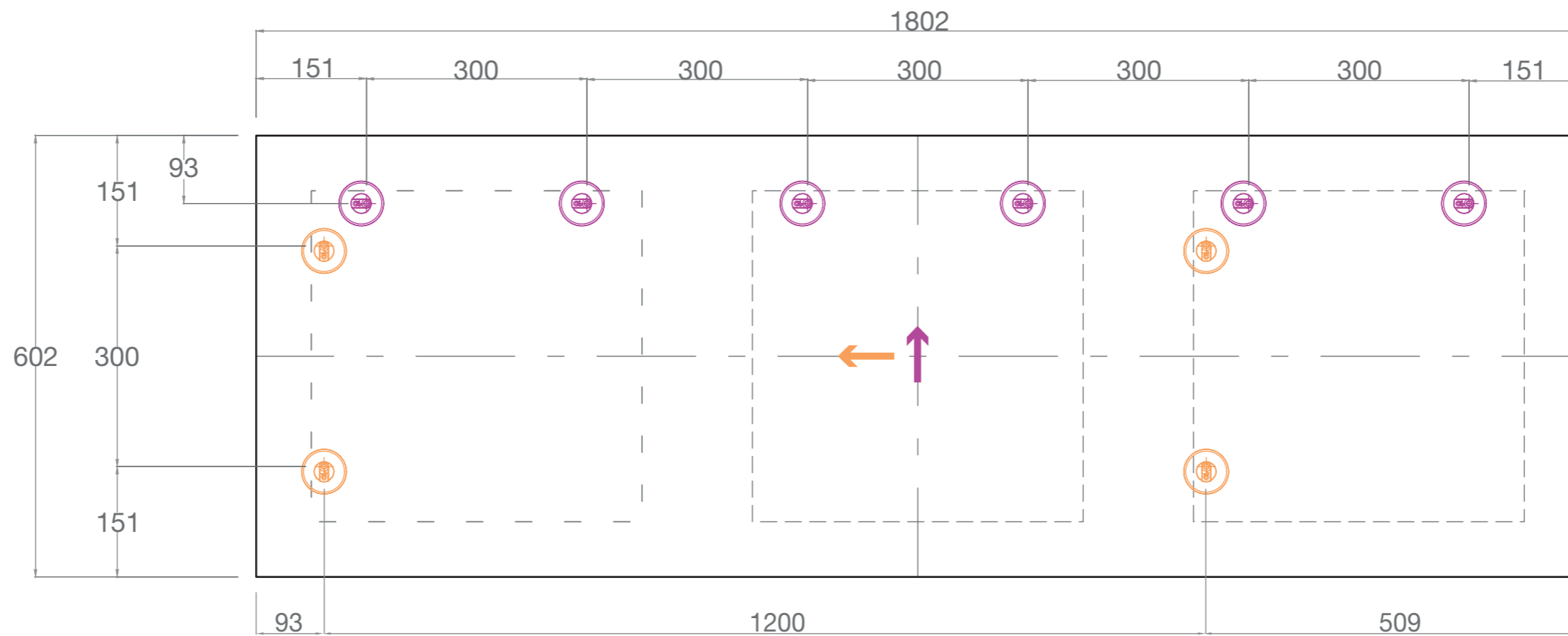




Square 600 x 600

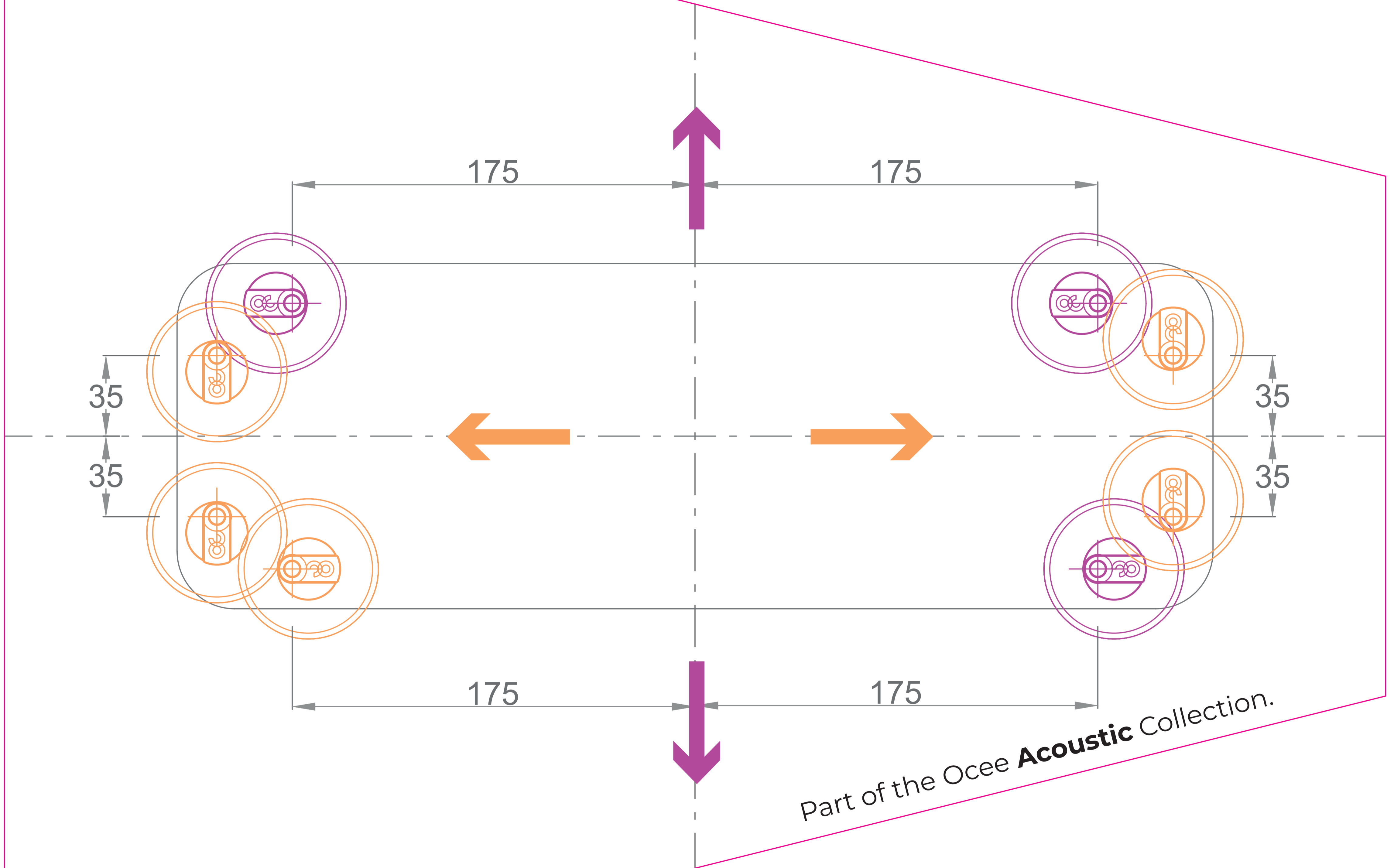


Rectangle 1200 x 600



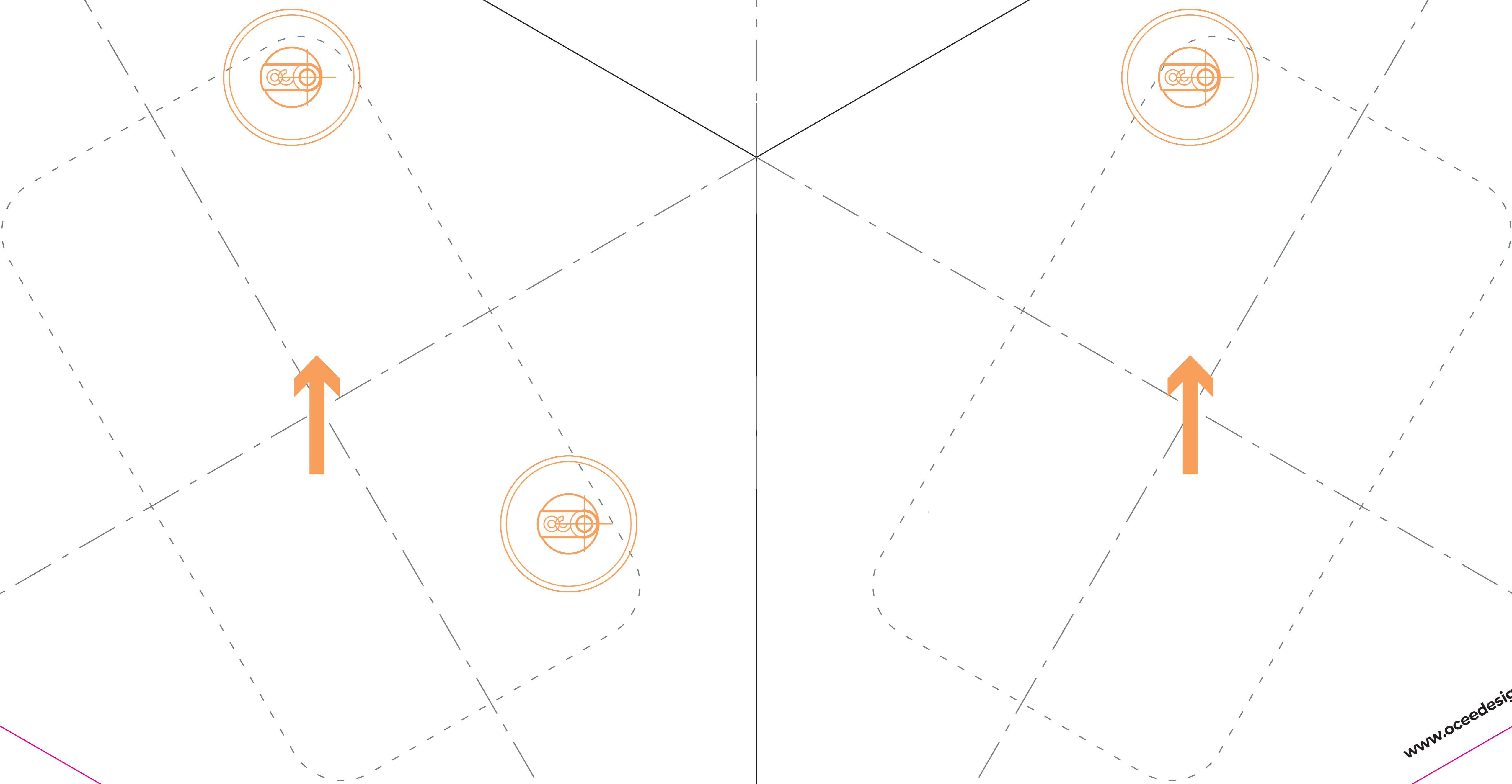
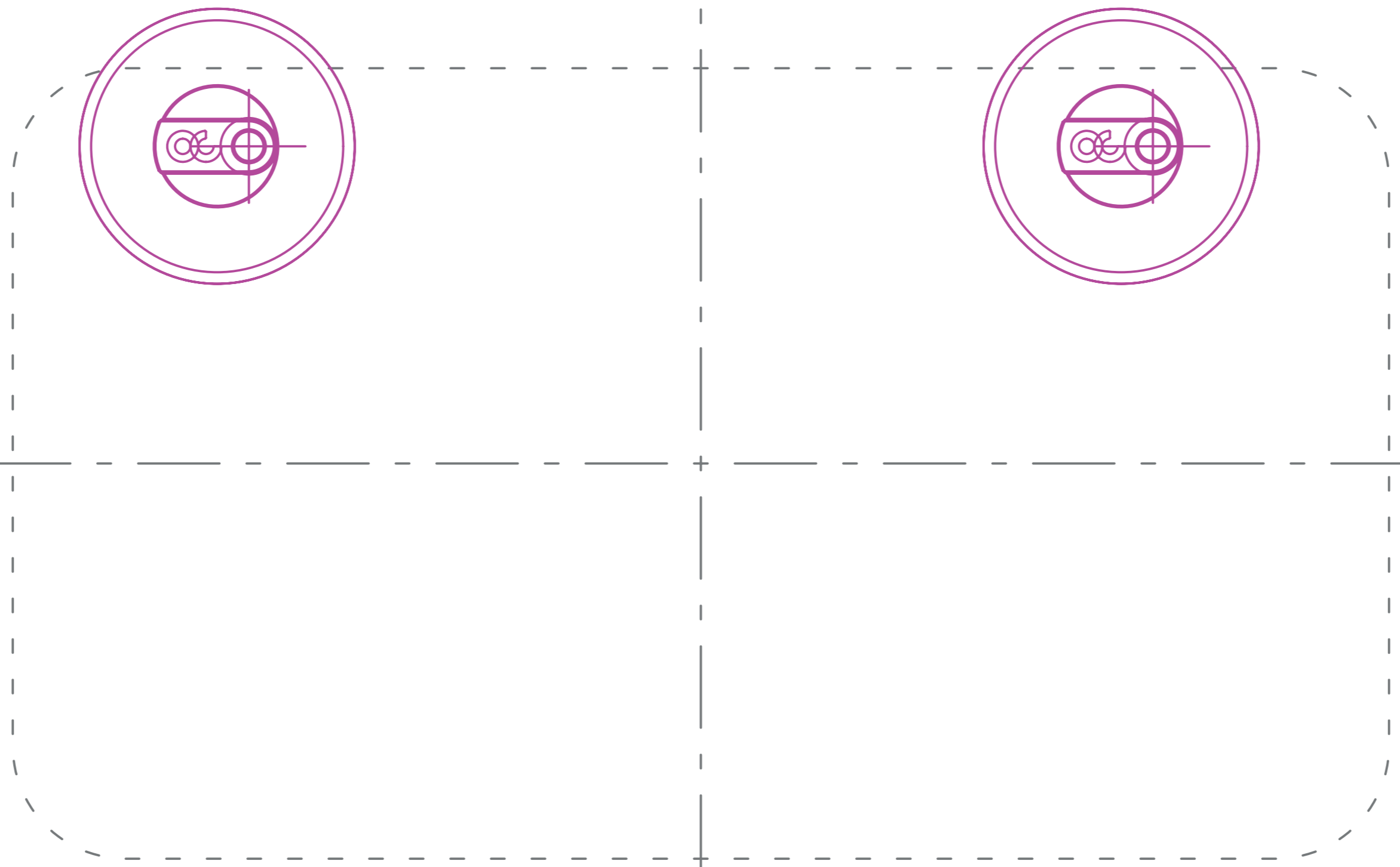
Rectangle 1800 x 600





Trapezium

Part of the Ocee **Acoustic** Collection.



Diamond