

FourReal[®] 741 Flake

Design by Studio Ocee

FACT SHEET / TECHNICAL & ENVIRONMENTAL SPECIFICATION



FourReal® 741 Flake

Design by Studio Ocee

Product options

VARIATIONS

Angled legs with integrated castors on two legs:

140 x 100 cm
200 x 100 cm
198 x 100 cm – Ellipse
160 x 100 cm – Half ellipse
140 x 129 cm – Diamond

ACCESSORIES

Chair suspension
Cable duct (aluminium)
Linking device
Room In Romm
Tray, Standing
Acoustic Panels, standing
Electrical units
Power cube
Paper roll holder
Table Trolley

TABLE TOP FINISHES

- | | |
|-----------------------------------------------------------------------------------------------------------------------|------------------------------------------------------------------------------------------------------------------------|
|  White Laminat
W980 |  White Decor
W980 |
|  Light Grey Egger
U763 Laminat |  Light Grey Egger
U763 Decor |
|  Grey Egger
U732 Laminat |  Grey Egger
U732 Decor |
|  Warm Grey Arpa
Fenix Nano 0718 |  Anthracite Arpa
Fenix Nano 0724 |
|  Black Arpa
Fenix Nano 0720 |  Black
4023 Linoleum |

FRAME COLOUR

- | | |
|------------------------------------------------------------------------------------------------------------|-----------------------------------------------------------------------------------------------------------|
|  Mat Black
RAL 7021 |  Mat white
RAL 9010 |
|  Stone Grey
RAL 7039 |  Chrome |



Experience endless creativity with our innovative tables. Rooted in the principles of democratic design, the FourReal® 741 offers agile, flexible solutions for people to connect at eye level. An inspiring framework for collaboration in any working environment, its tangible design and organic shapes create a natural gathering point.

Technical specifications

WEIGHT

140 x 100 cm:
33,9 kg

200 x 100 cm:
50,3 kg.

198 x 100 cm – Ellipse:
37,1 kg

160 x 100 cm – Half ellipse:
31,6 kg

140 x 129 cm – Diamond:
30,4 kg

CHAIR SUSPENSION

Maximum qty pr. size:
140 x 100 cm:

4 set

200 x 100 cm:
0

198 x 100 cm – Ellipse:
4

160 x 100 cm – Half ellipse:
4

140 x 129 cm – Diamond:
3

TEST

EN 15372:2016 - L2

CERTIFICATION

Compliant with TSCA Title VI

Materials

TABLE TOP

Decor: Chip board with
decor laminate and
ABS-edge. Thickness: 19 mm.

Laminate: Chip board with
high-pressure laminate
or Fenix laminate and
ABS-edge. Thickness 20 mm.

Linoleum: Chip board with
linoleum and ABS-edge.
Thickness 21 mm.

FRAME, STEEL

Powder coated steel frame.

Legs: Ø32 x 2.5 mm, S235
steel, EN 10305-3 F300C

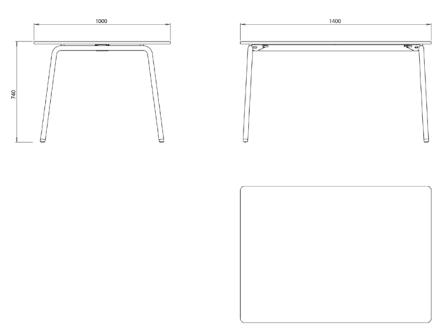
Beam: 80x50x1.5 mm RHS
profile beam, S235 steel

Folding mechanism:
Domex 355MC

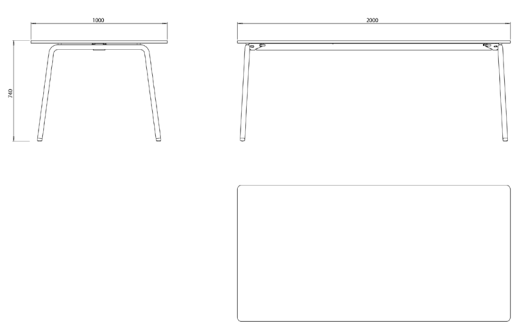
Gliders and gliders with
integrated castors: LDPE

Dimensions

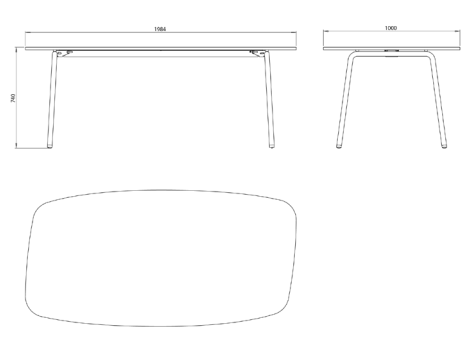
FourReal® 741 Flake, 140 x 100 cm



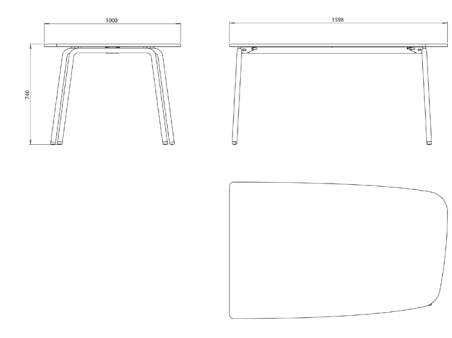
FourReal® 741 Flake, 200 x 100 cm



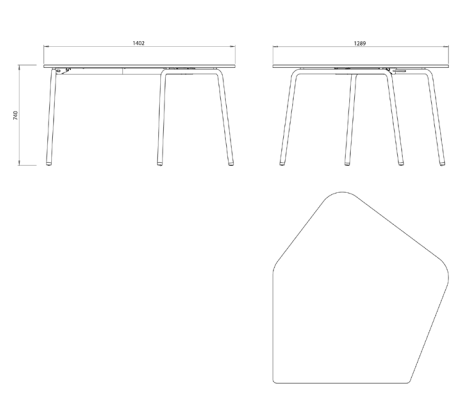
FourReal® 741 Flake, 198 x 100 cm – Ellipse



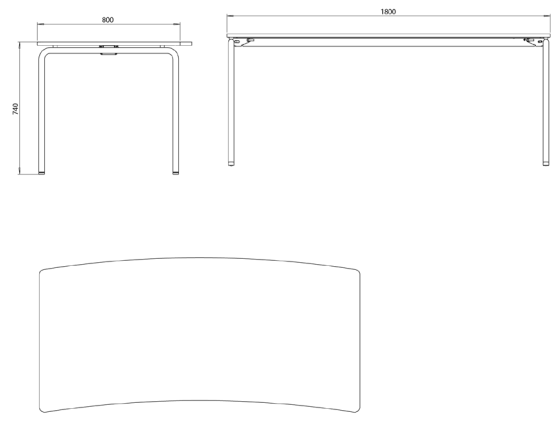
FourReal® 741 Flake, 160 x 100 cm – Half ellipse



FourReal® 741 Flake, 140 x 129 cm – Diamond



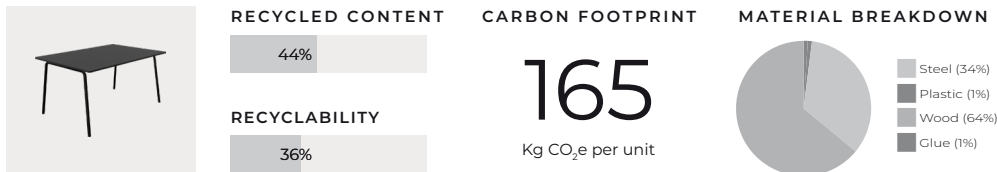
FourReal® 74, 180 x 80 cm, curve



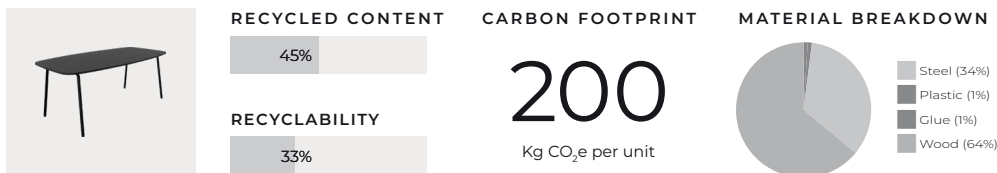
Environmental data

Product environmental data can assist you in meeting the requirements for LEED, BREEAM, WELL, and SKA building certifications.

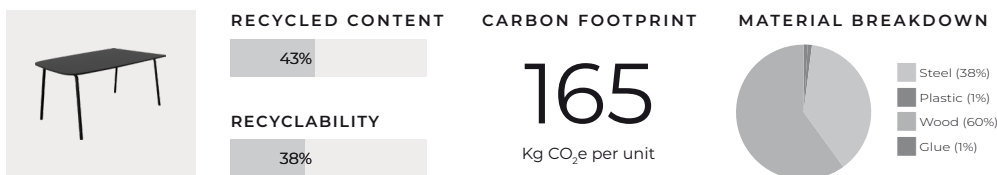
FOURREAL 741 FLAKE RECTANGLE 1400X800



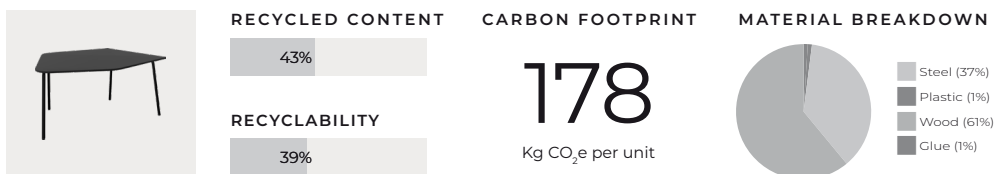
FOURREAL 741 FLAKE ELLIPSE 1980X1000



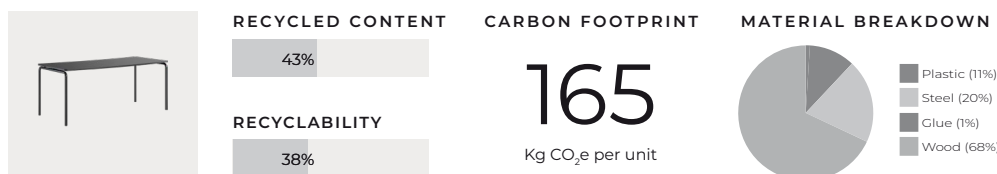
FOURREAL 741 FLAKE HALF ELLIPSE 1600X1000



FOURREAL 741 FLAKE DIAMOND 1400X1290



FOURREAL 741 FLAKE CURVE 1800X800



📊 CARBON FOOTPRINT

The carbon footprint (CO₂e) covers the full product life cycle, cradle-to-grave. Calculations follow the Product Environmental Footprint (PEF) methodology and are obtained using the MALBAR screening tool.

Quality and environment

At Ocee & Four Design, we care about sustainability. We strive to reduce our impact by producing quality furniture in a sustainable manner. Find out more about our journey on [Oceeandfour.com](https://oceeandfour.com) ↗

COMPANY CERTIFICATIONS
ISO 9001
ISO 14001
FSC Chain of Custody (License Code: FSC-C161956) FISP Full Membership

WARRANTY

Ocee & Four Design provides a 5-year warranty on all products within our price list. This warranty covers breakage and damage of products occurring because of deficient craftsmanship performance under normal use. The warranty shall lapse if the product shows signs of mishandling abuse or other physical damage. The warranty does not cover those parts of the product which are exposed to abrasion during use.

INSTRUCTIONS

Assembly instructions can be found at our website.

MAINTENANCE

Refer to our [Maintenance Guide](#) ↗

DISASSEMBLY & RECYCLING

Products should be disassembled and separated into their components and materials before recycling. Most products can be disassembled using hand tools. Metal parts are commonly

recycled. Powder coated frames are treated with a paint classified as not dangerous according to directive 1999/45/EF. Wood can either be recycled or incinerated. Plastic shells can be recycled. Upholstery and veneer shells are not recyclable but can be disposed of through incineration. Processes for recycling vary so check with your waste management organisation.