

# Four® Resting

Design: Strand + Hvas

## Table top finishes



## Frame colours



## Options

Glides: Felt

Castors

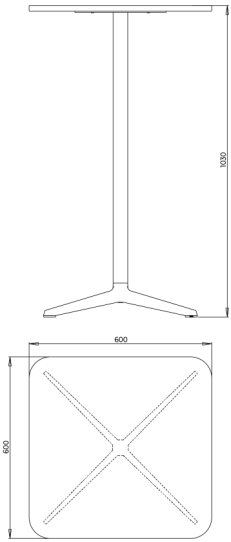
Flip Top

# Four<sup>®</sup> Resting

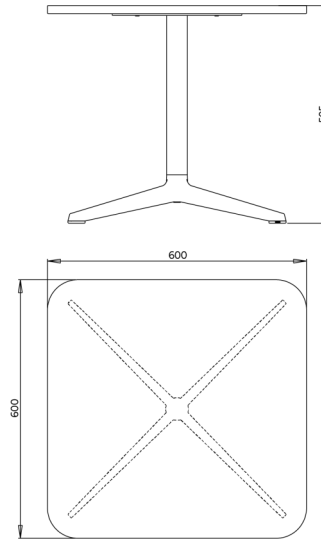
EN

Design: Strand + Hvass

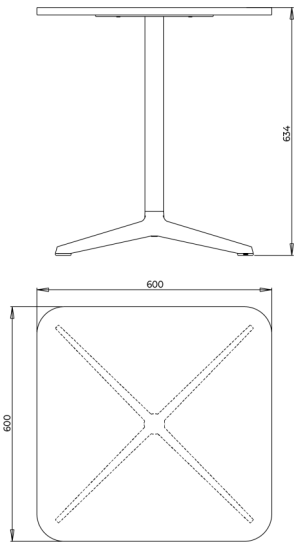
**600x600x1030 - 4 star**



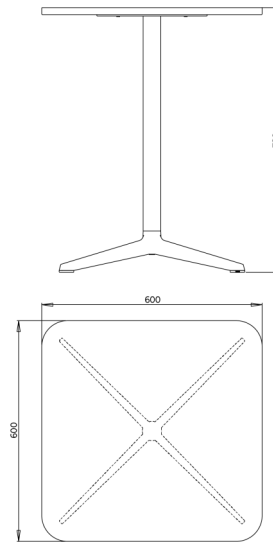
**600x600x510 - 4 star**



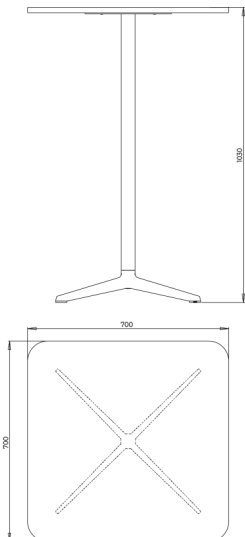
**600x600x640 - 4 star**



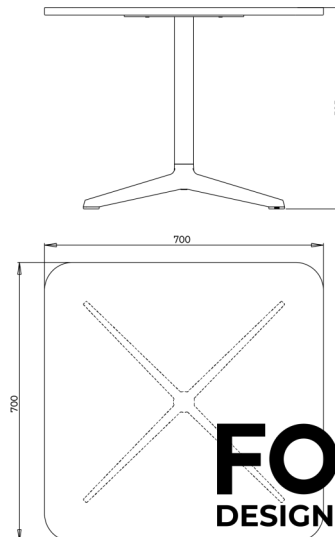
**600x600x720 - 4 star**



**700x700x1030 - 4 star**



**700x700x510 - 4 star**



**FOUR**  
DESIGN

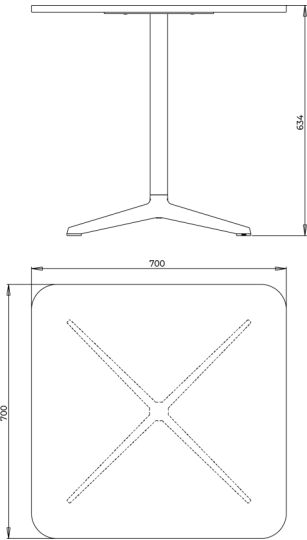
  
AN OCEE  
INTERNATIONAL  
COMPANY

# Four® Resting

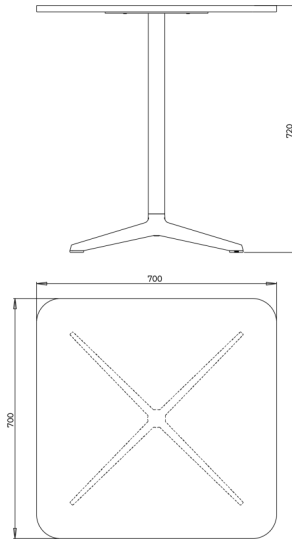
EN

Design: Strand + Hvass

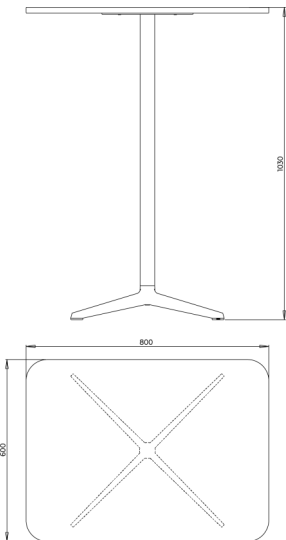
**700x700x640 - 4 star**



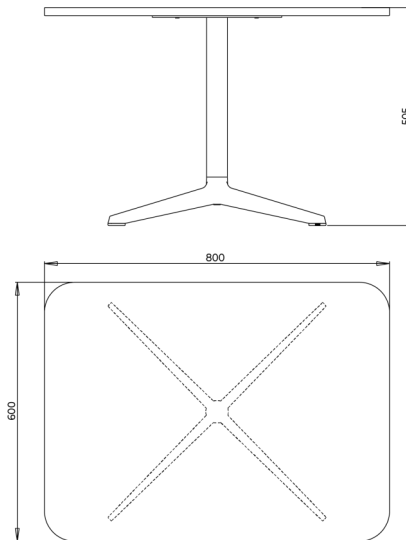
**700x700x720 - 4 star**



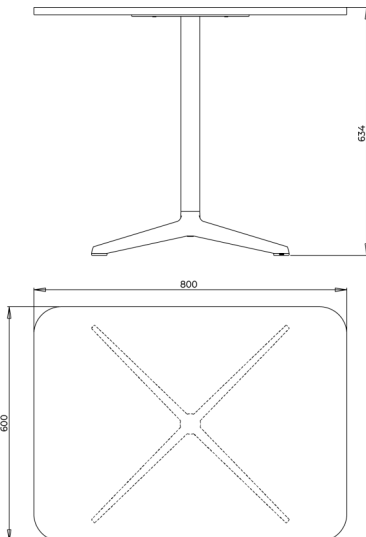
**800x600x1030 - 4 star**



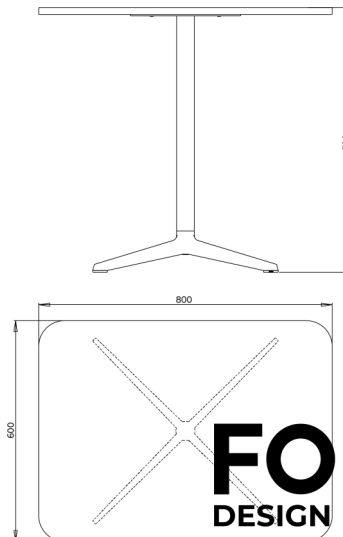
**800x600x510 - 4 star**



**800x600x640 - 4 star**



**800x600x720 - 4 star**



**FOUR**  
DESIGN

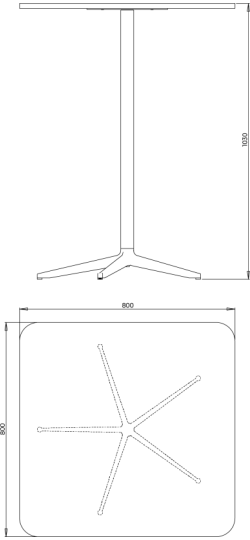
  
AN OCEE  
INTERNATIONAL  
COMPANY

# Four® Resting

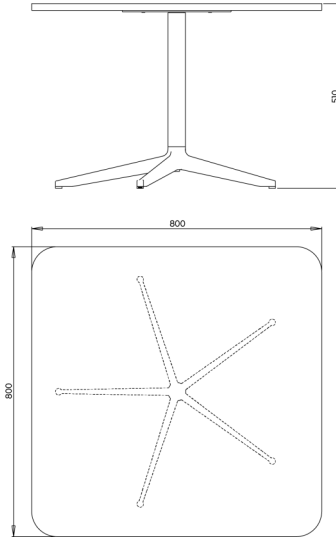
EN

Design: Strand + Hvass

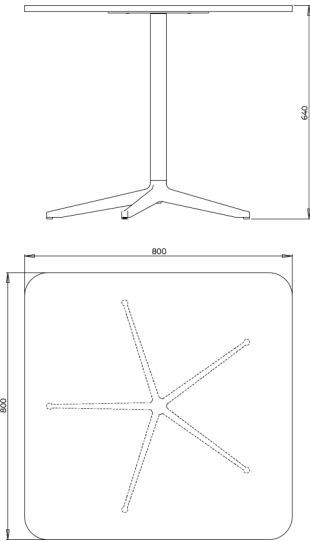
**800x800x1030 - 5 star**



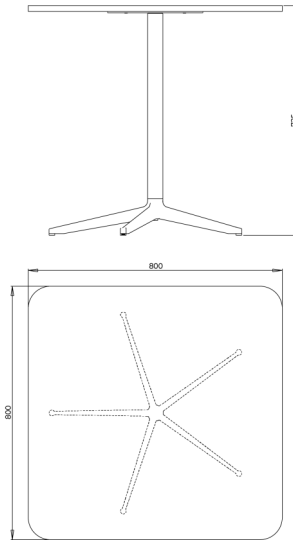
**800x800x510 - 5 star**



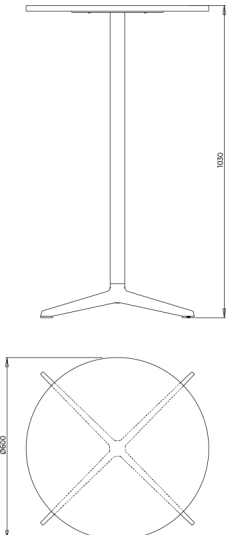
**800x800x640 - 5 star**



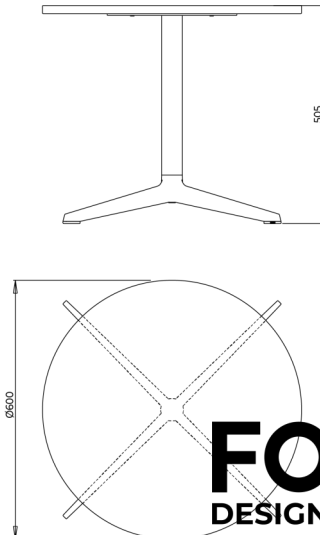
**800x800x720 - 5 star**



**Ø600x1030 - 4 star**



**Ø600x510 - 4 star**



**FOUR**  
DESIGN

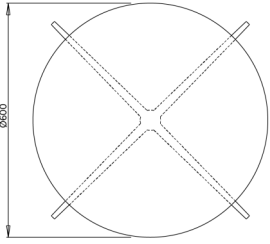
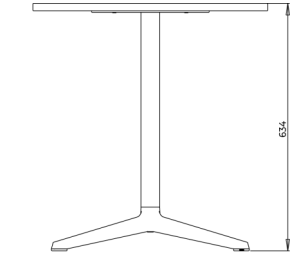
  
AN OCEE  
INTERNATIONAL  
COMPANY

# Four<sup>®</sup> Resting

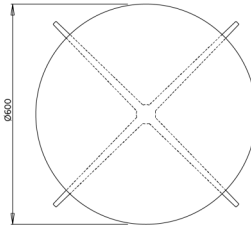
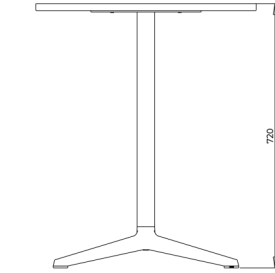
EN

Design: Strand + Hvas

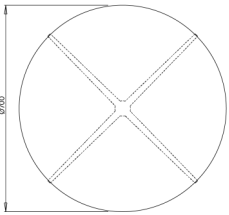
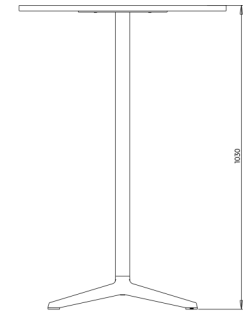
**Ø600x640 - 4 star**



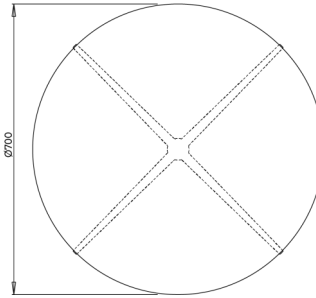
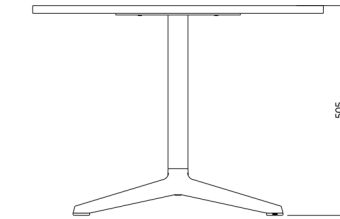
**Ø600x720 - 4 star**



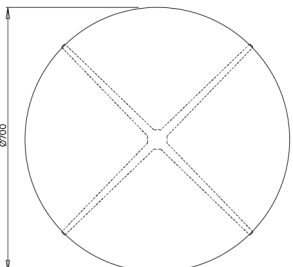
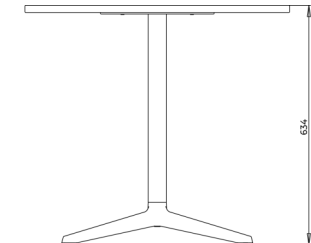
**Ø700x1030 - 4 star**



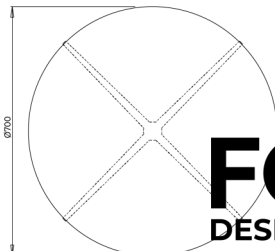
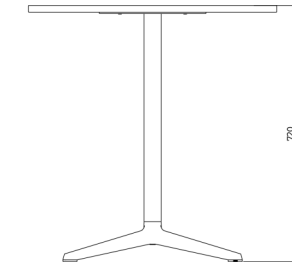
**Ø700x510 - 4 star**



**Ø700x640 - 4 star**



**Ø700x720 - 4 star**



**FOUR**  
DESIGN

  
AN OCEE  
INTERNATIONAL  
COMPANY

# Four® Resting

EN

Design: Strand + Hvass

## Materials

### Table top variants

Chip board with Decor laminate and ABS-edge.  
Thickness: 19 mm.

Chip board with high-pressure laminate or Fenix laminate and ABS edge.  
Thickness 21 mm.

Chip board with linoleum and ABS-edge.  
Thickness 23 mm.

Table tops can be delivered FSC certified.

### Frame

4- eller 5-star frame: Aluminium ADC-12  
Glides (standard): PP  
Height-adjustable screw: Steel  
Plate under table top: DC01 DIN/EN 10130

### Fasteners

Screw: Ø6,2x16 mm

### Instructions

Assembly instructions can be found at [www.fourdesign.dk](http://www.fourdesign.dk) under Four Resting.

### Weight and dimensions

|                 |   |         |   |         |
|-----------------|---|---------|---|---------|
| Ø60 cm          | / | Ø70 cm  | / | Ø80 cm  |
| H51 cm: 9,4 kg  | / | 11,1 kg | / | 13,2 kg |
| H64 cm: 9,9 kg  | / | 11,6 kg | / | 13,7 kg |
| H72 cm: 10 kg   | / | 11,7 kg | / | 13,8 kg |
| H103 cm: 10,8kg | / | 12,5 kg | / | 14,7 kg |

|                 |   |          |   |          |
|-----------------|---|----------|---|----------|
| 60x60 cm        | / | 70x70 cm | / | 80x80 cm |
| H51 cm: 10,6 kg | / | 12,7 kg  | / | 13,7 kg  |
| H64 cm: 11,1 kg | / | 13,2 kg  | / | 14,2 kg  |
| H72 cm: 11,2 kg | / | 13,3 kg  | / | 14,3 kg  |
| H103 cm: 12 kg  | / | 14,1 kg  | / | 15,2 kg  |

60x80 cm:  
H51 cm: 11,8 kg  
H64 cm: 12,3 kg  
H72 cm: 12,4 kg  
H103 cm: 13,2 kg

## Quality and Environment

At Four Design, we are aware of our environmental responsibility.

We strive to reduce our company, and our customer's impact on the environment by producing quality furniture in a sustainable manner.

### Procurement

We procure materials from responsible suppliers who comply with our high standards, ensuring that the materials are sustainably sourced and managed, conforming to applicable laws and regulations such as legal logging and chemical restrictions.

### Production

We are ISO14001 certified, guaranteeing excellent environmental standards of our manufacturing sites.

### Use

Four Design provides a 5-year warranty on all products within our price list. This warranty covers breakage and damage of products occurring because of deficient craftsmanship performance under normal use. The warranty shall lapse if the product shows signs of mishandling abuse or other physical damage. The warranty does not cover those parts of the product which are exposed to abrasion during use.

We kindly refer to our Maintenance Guide: [http://www.fourdesign.dk/pdf/Maintenance\\_Guide.pdf](http://www.fourdesign.dk/pdf/Maintenance_Guide.pdf)

### Recycling

We are working towards the aim for all our products to be minimum 95% recyclable.

Products must be separated into their components and disposed of separately.

All metal parts can be disposed of and recycled by an approved organisation. Lacquered frames are treated with a paint classified as not dangerous according to directive 1999/45/EF.

Wood can either be recycled or incinerated.

Plastic shells can be recycled. The shell will be granulated and reused in new plastic production.

Upholstery and veneer shells are not recyclable but can be disposed of by incineration.

**FOUR**  
DESIGN



AN OCEE  
INTERNATIONAL  
COMPANY