

Design: Anders Nørgaard

Table top finishes



WARM GREY ARPA
FENIX 0718



ANTHRACITE ARPA
FENIX 0724



BLACK ARPA FENIX
0720

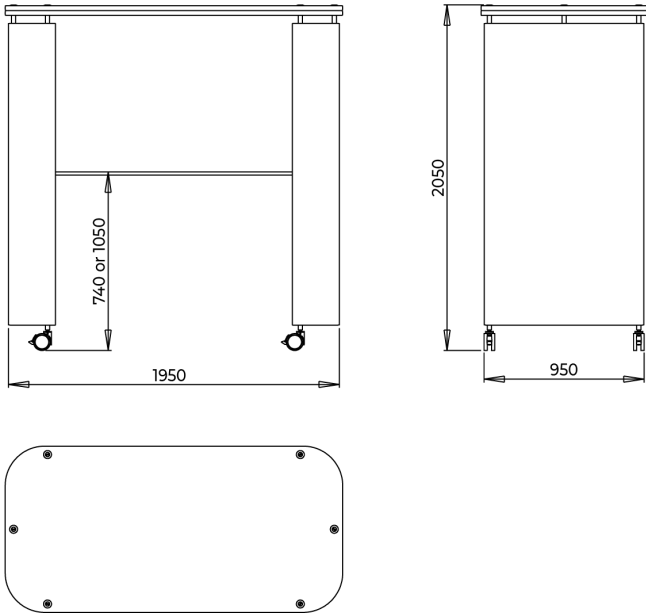
Frame colours

Options

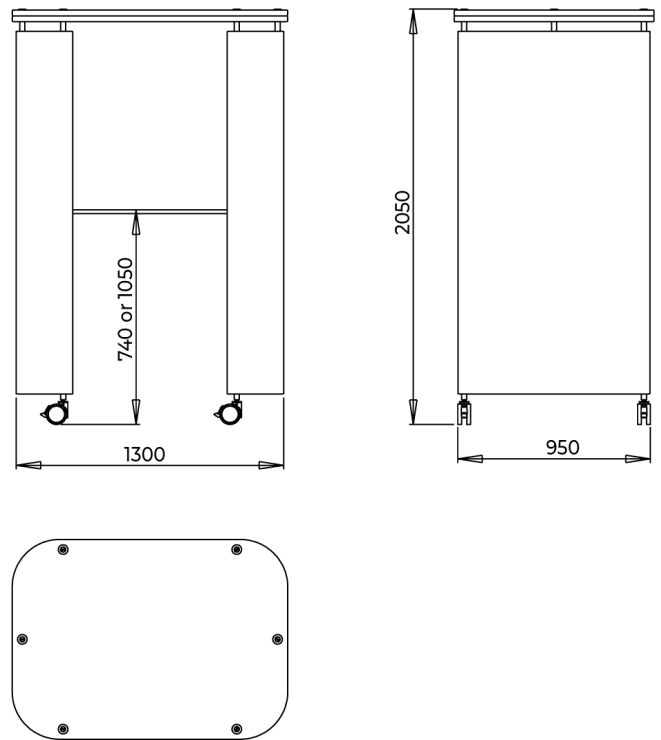
Chair suspension

Design: Anders Nørgaard

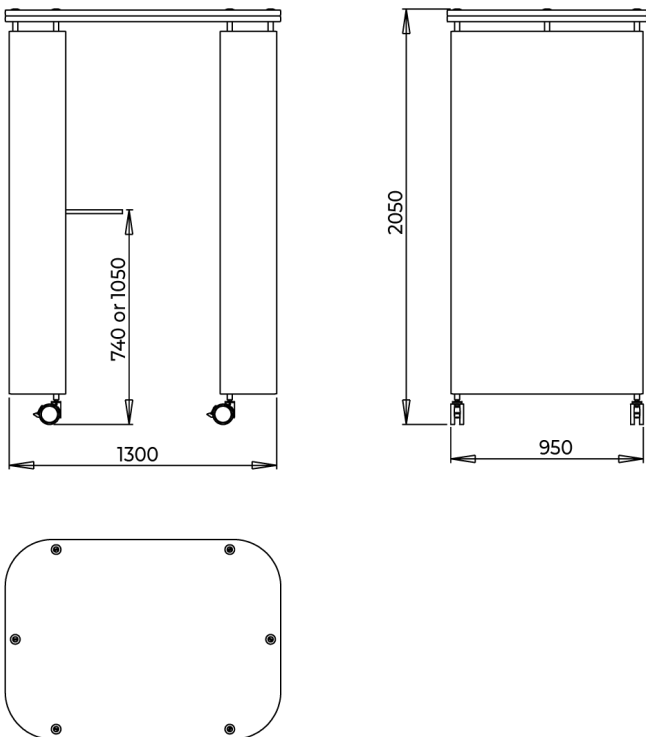
InnoPod Big incl. table top 81x118 cm



InnoPod incl. table top 81x118 cm



InnoPod incl. table top 81x49 cm



Design: Anders Nørgaard

Materials

Table top variants

Chip board with Fenix laminate and ABS edge.
Thickness 19 mm.

Frame

Construction: Pine frame
Glue: SIMALFA 321
Bracket for wall: Steel, S235
Support bracket: Steel, S235
Bracket for table top: Carbon steel
Foam: Type HR3030
Complies with the REACH and RoHS directives, and
The Furniture and Furnishings (Fire) (Safety) Amended
Regulations 1989 Schedule 1, Part 1.

Fasteners

M8x35 Screw, countersunk head, hexagon socket
M5x20 Chipboard screw, Torx
M8x35 Screw, flat countersunk head, hexagon socket

Instructions

Assembly instructions can be found at
www.fourdesign.dk under FourUs InnoPod.

Quality and Environment

At Four Design, we are aware of our environmental responsibility.

We strive to reduce our company, and our customer's impact on the environment by producing quality furniture in a sustainable manner.

Procurement

We procure materials from responsible suppliers who comply with our high standards, ensuring that the materials are sustainably sourced and managed, conforming to applicable laws and regulations such as legal logging and chemical restrictions.

Production

We are ISO14001 certified, guaranteeing excellent environmental standards of our manufacturing sites.

Use

Four Design provides a 5-year warranty on all products within our price list. This warranty covers breakage and damage of products occurring because of deficient craftsmanship performance under normal use. The warranty shall lapse if the product shows signs of mishandling abuse or other physical damage. The warranty does not cover those parts of the product which are exposed to abrasion during use.

We kindly refer to our Maintenance Guide: http://www.fourdesign.dk/pdf/Maintenance_Guide.pdf

Recycling

We are working towards the aim for all our products to be minimum 95% recyclable.

Products must be separated into their components and disposed of separately.

All metal parts can be disposed of and recycled by an approved organisation. Lacquered frames are treated with a paint classified as not dangerous according to directive 1999/45/EF.

Wood can either be recycled or incinerated.

Plastic shells can be recycled. The shell will be granulated and reused in new plastic production.

Upholstery and veneer shells are not recyclable but can be disposed of by incineration.