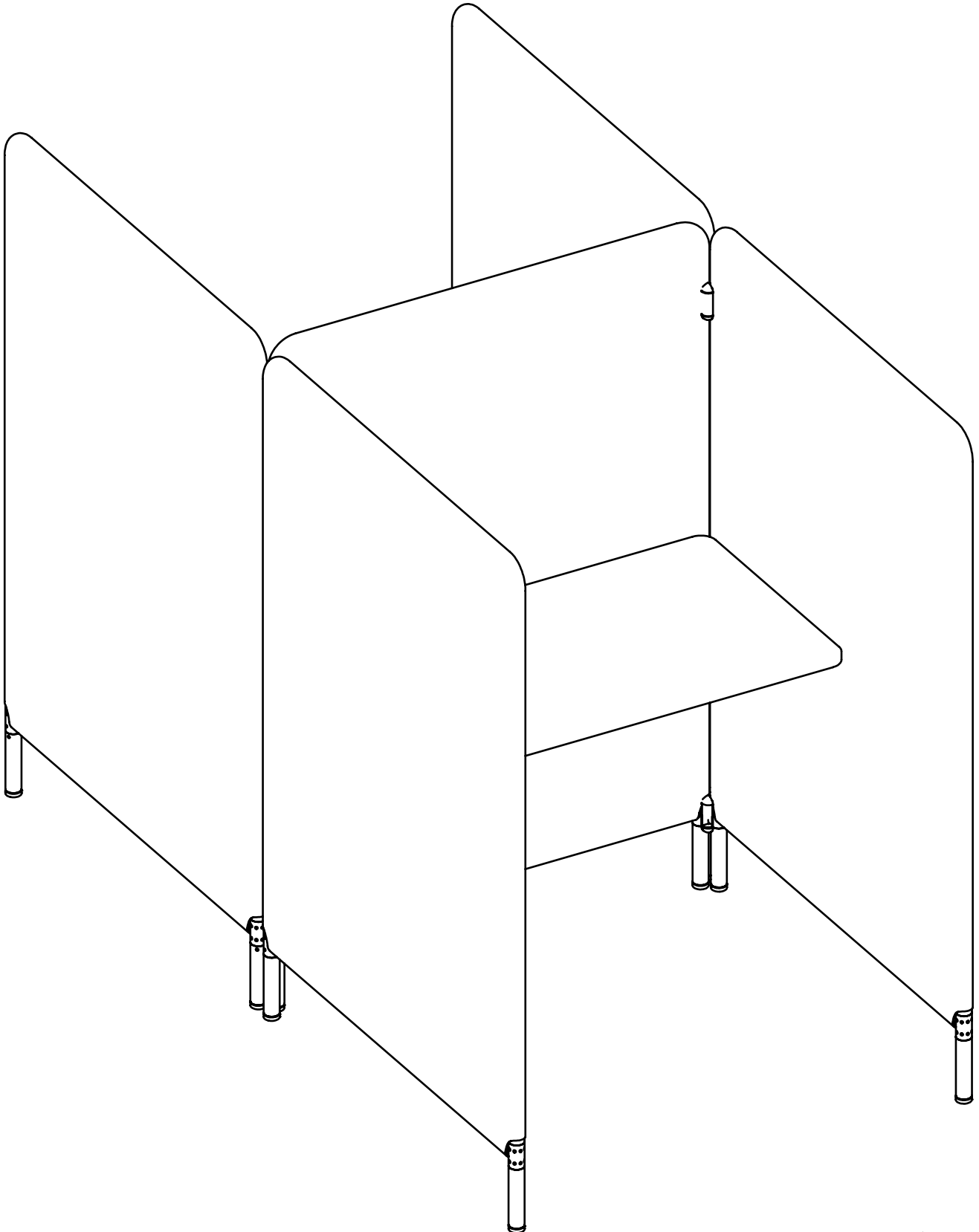
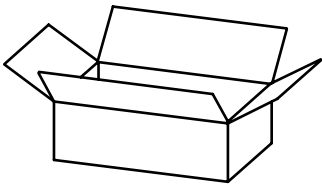


FourPeople

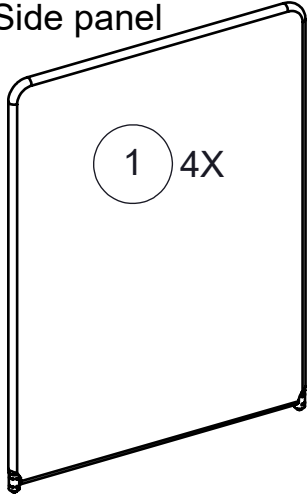
Study Booth Double + Extension



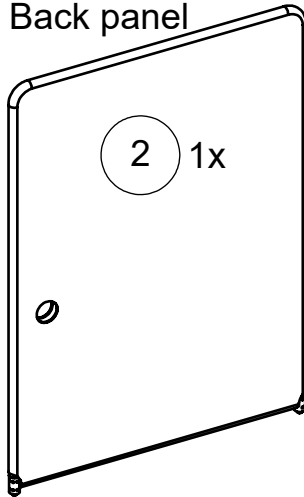


Double study Booth

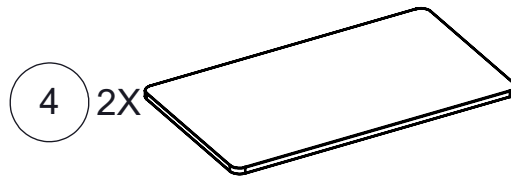
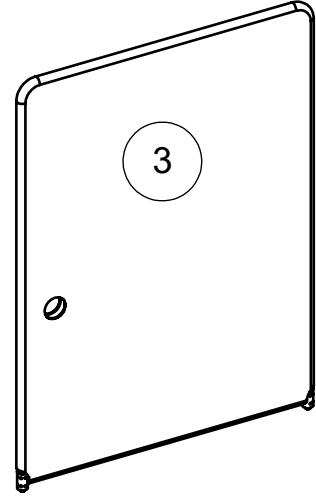
Side panel



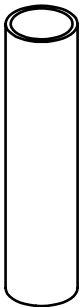
Back panel



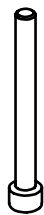
Double study Booth + extension Center panel



5 10X



6 10X



7 10X



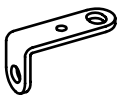
8 10X



9 10X



10 14X



11 22X



12 8X



13 8X



14 32X

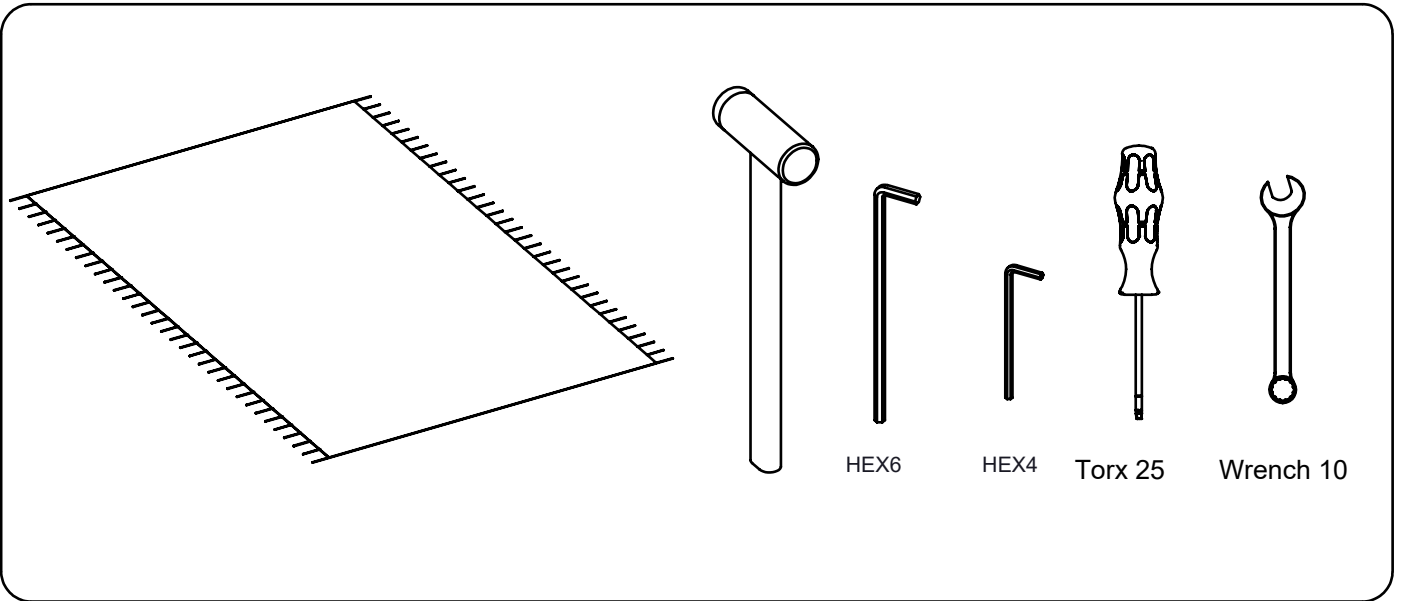
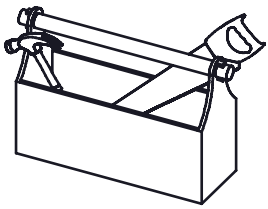


15 3X

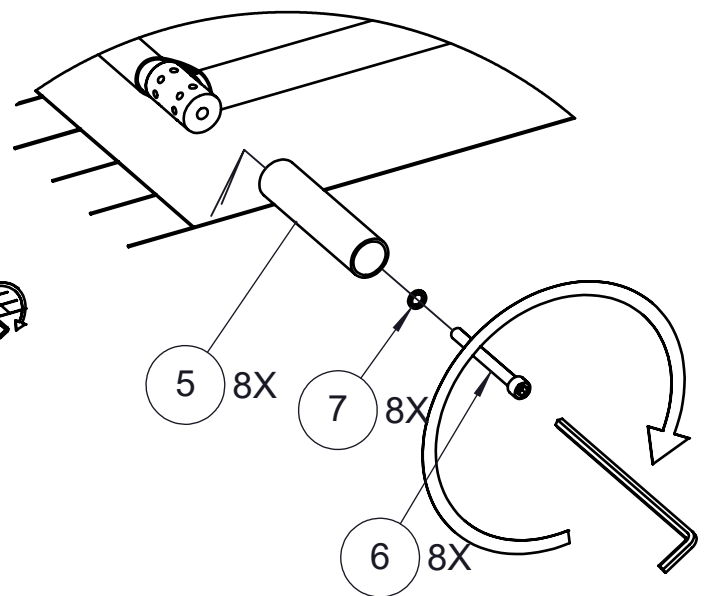
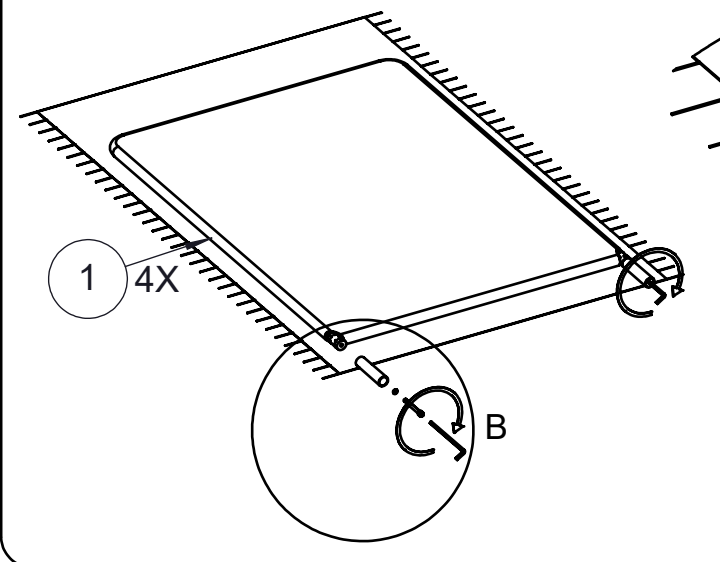
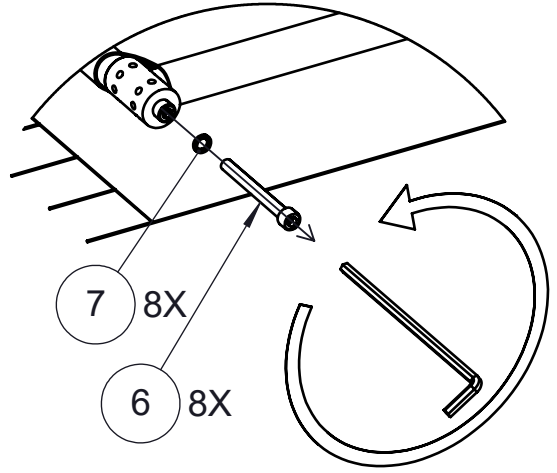
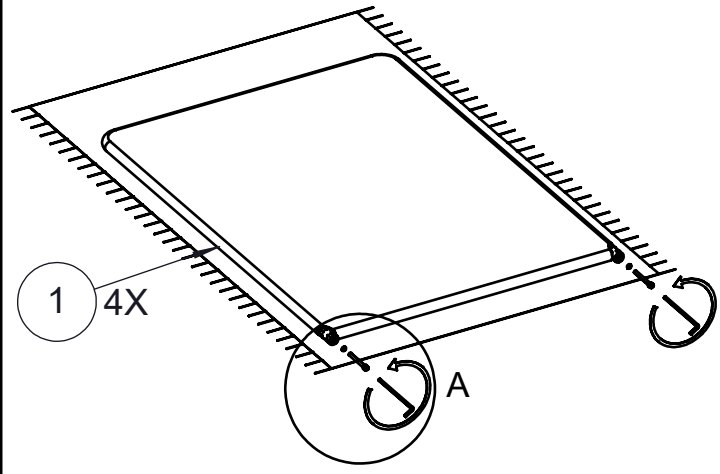


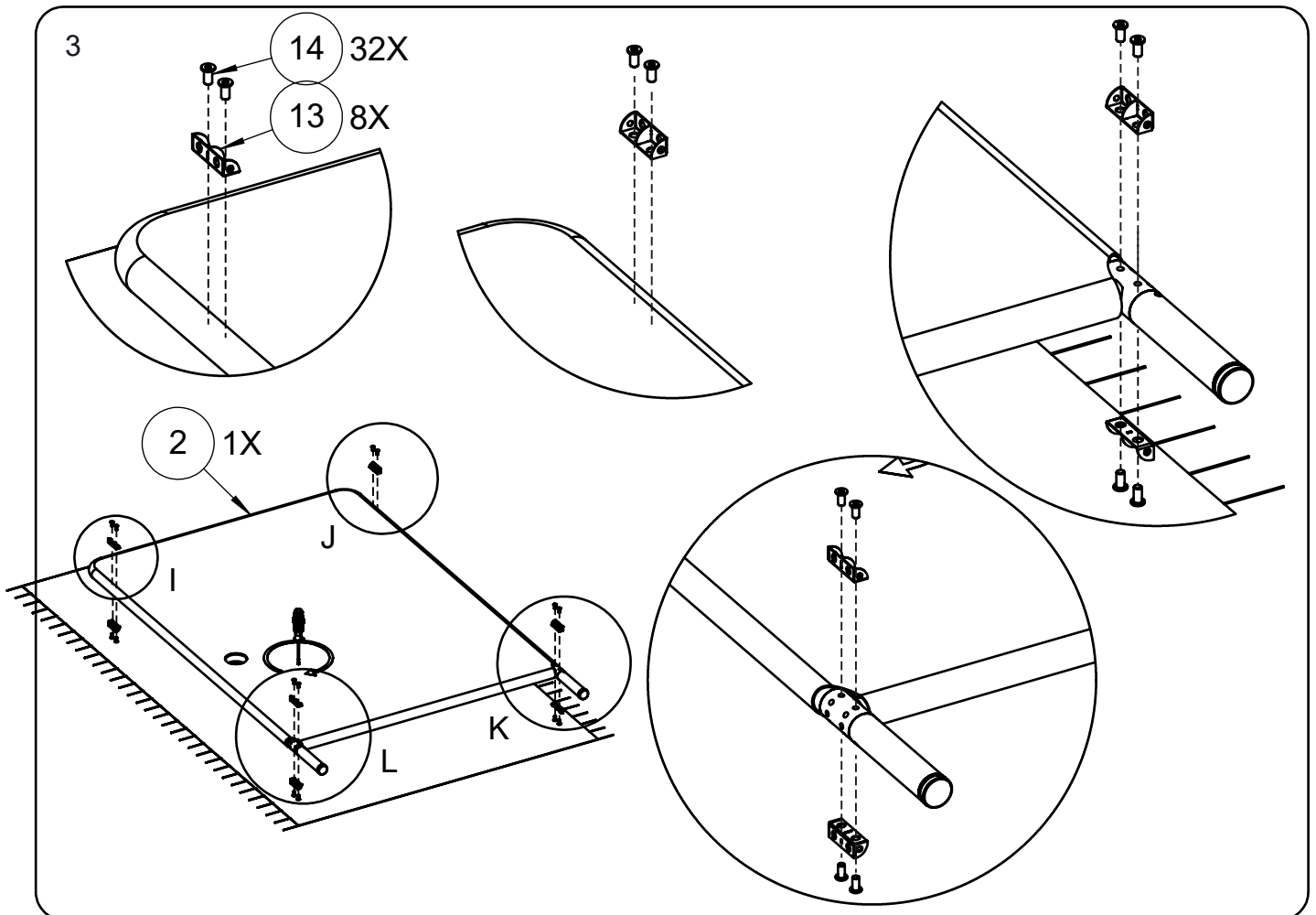
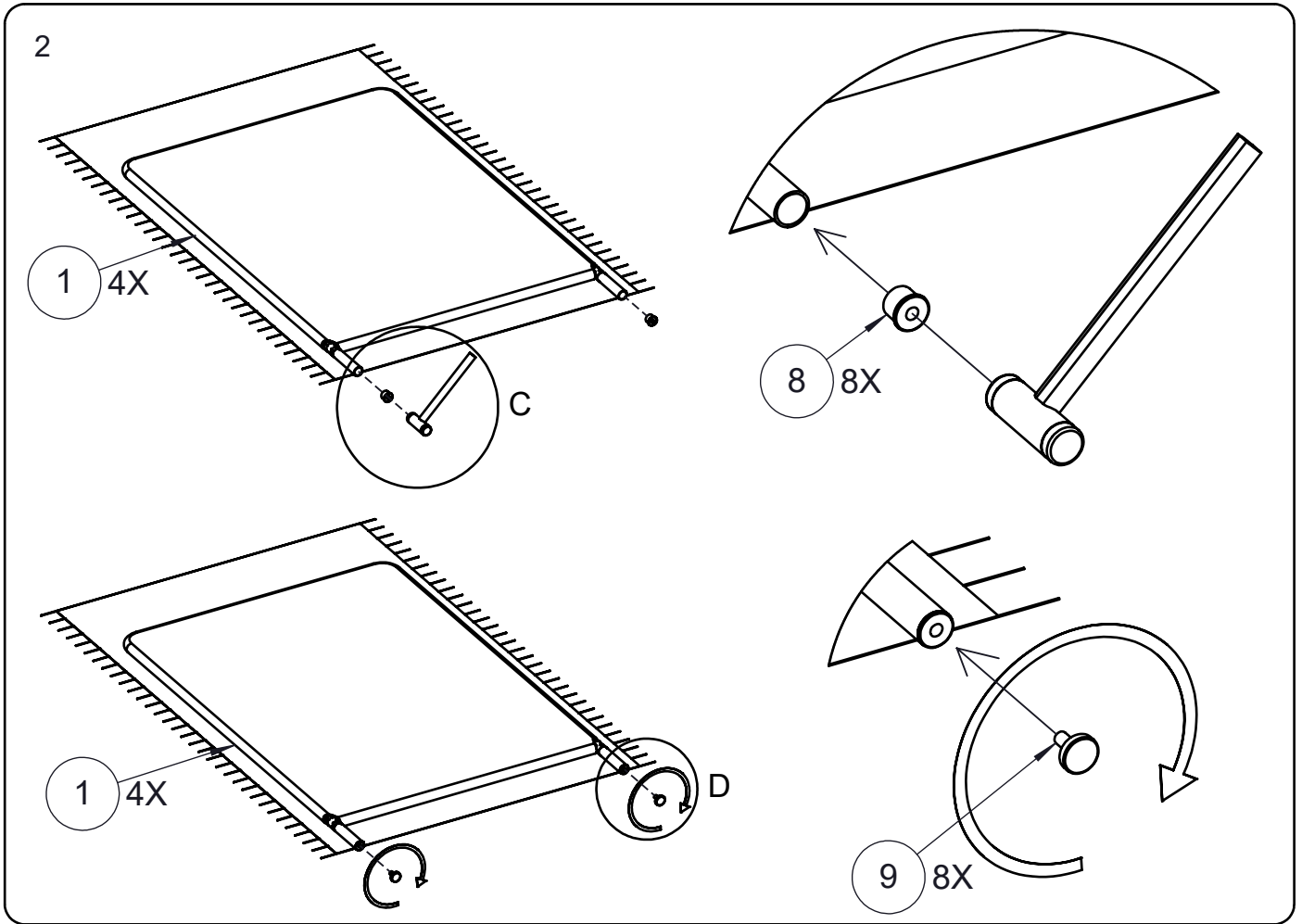
16 3X



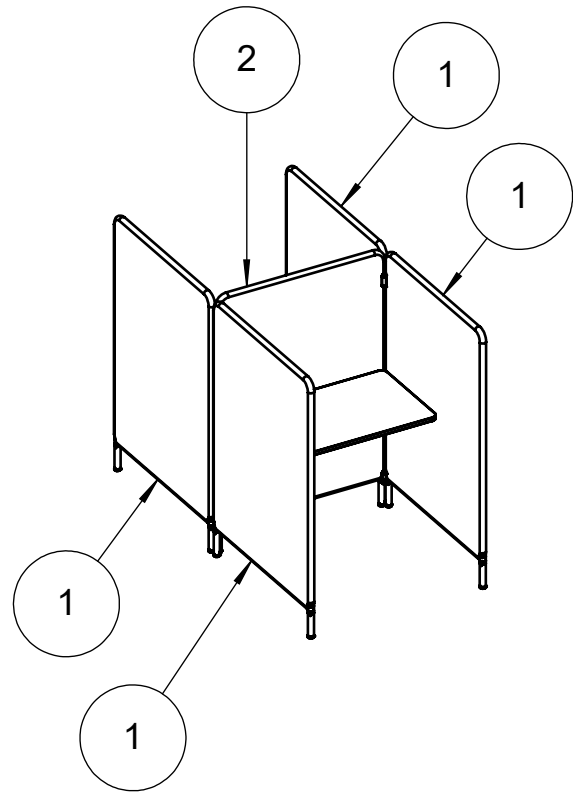
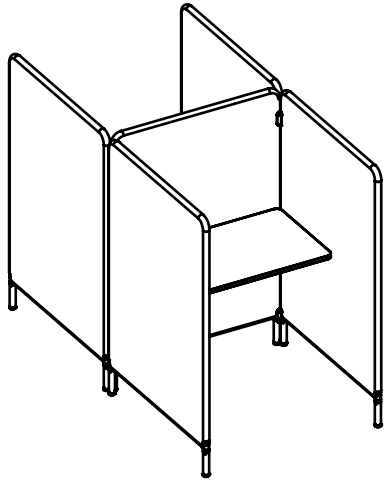


1 **Warning!**
Remove 1 bolt at a time.
Install 1 leg at a time.

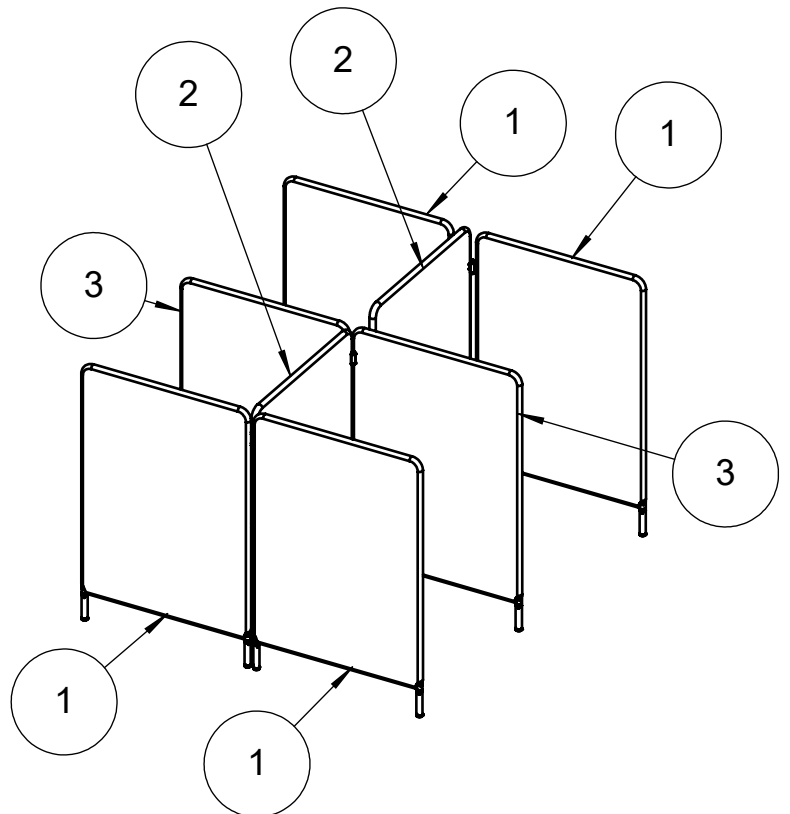
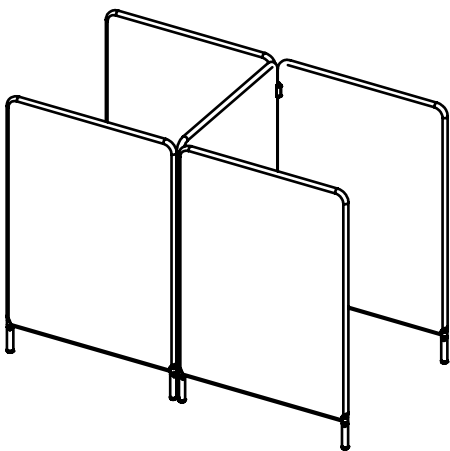




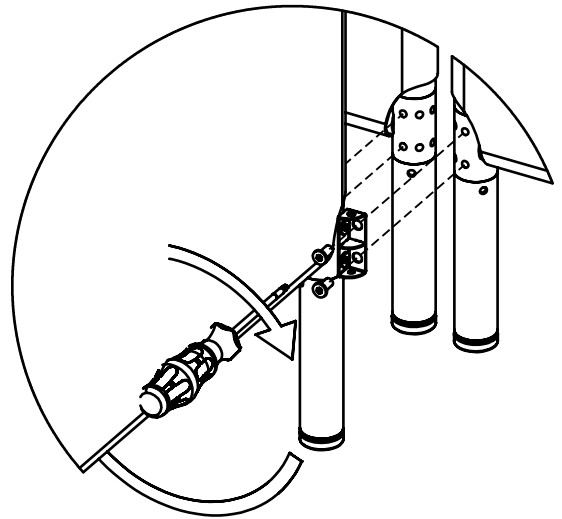
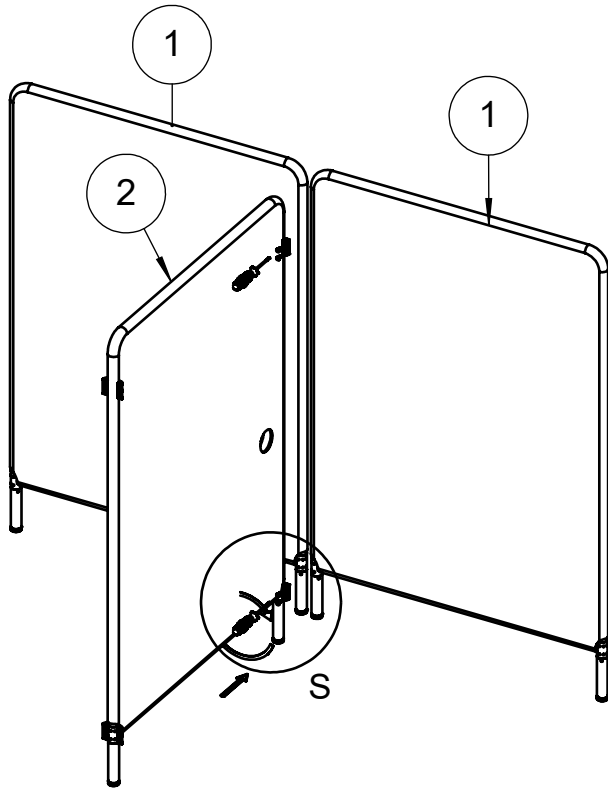
Double Booth



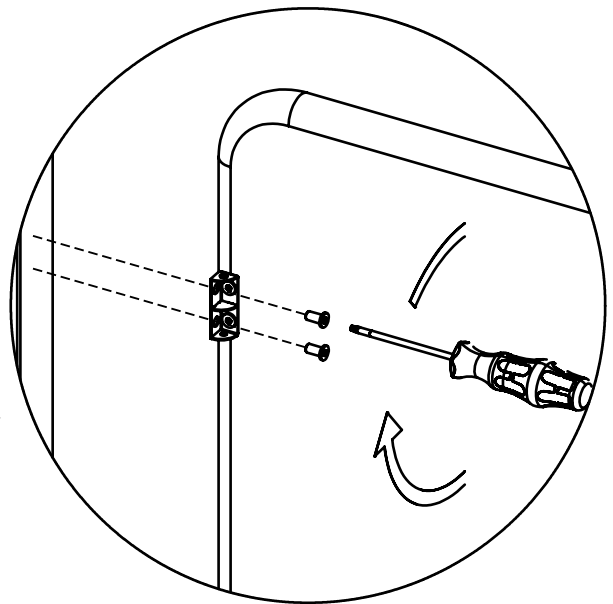
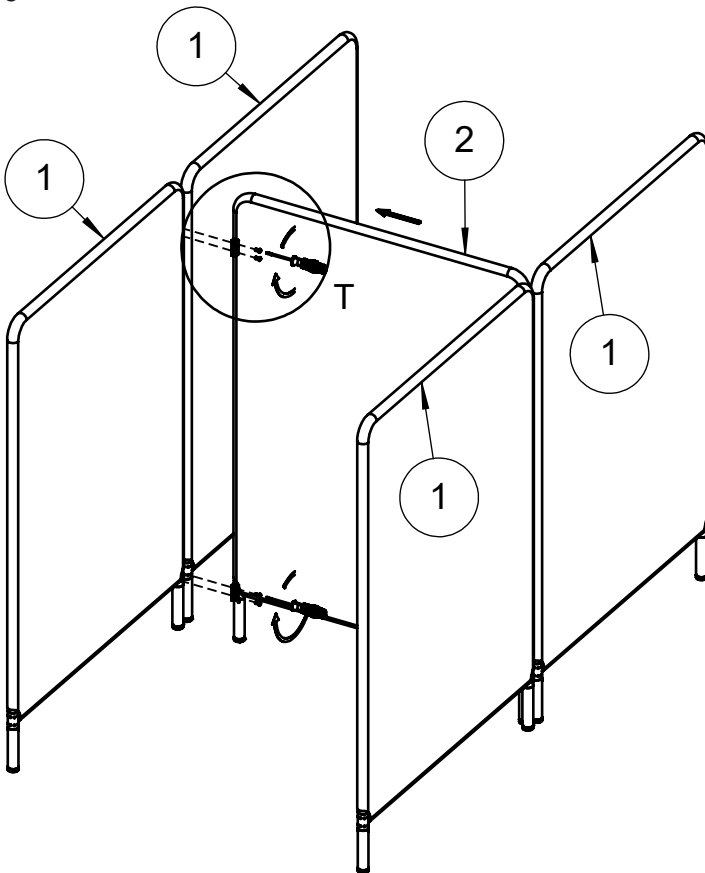
Double Booth + Extension



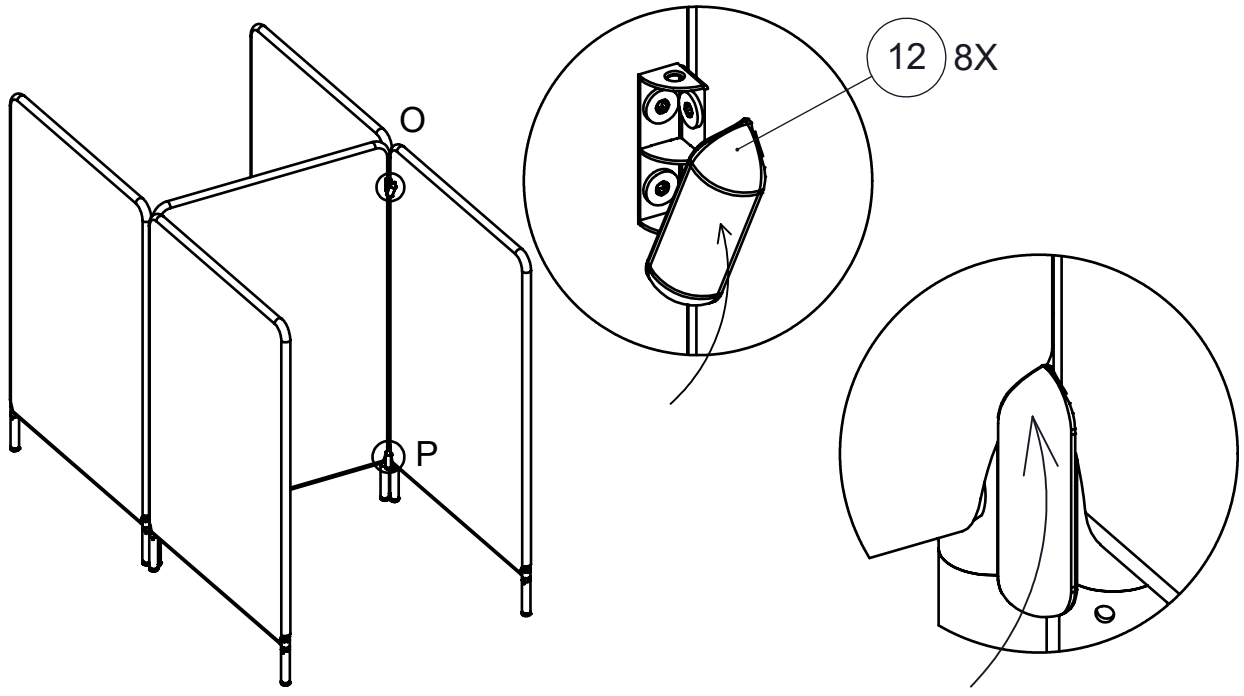
5



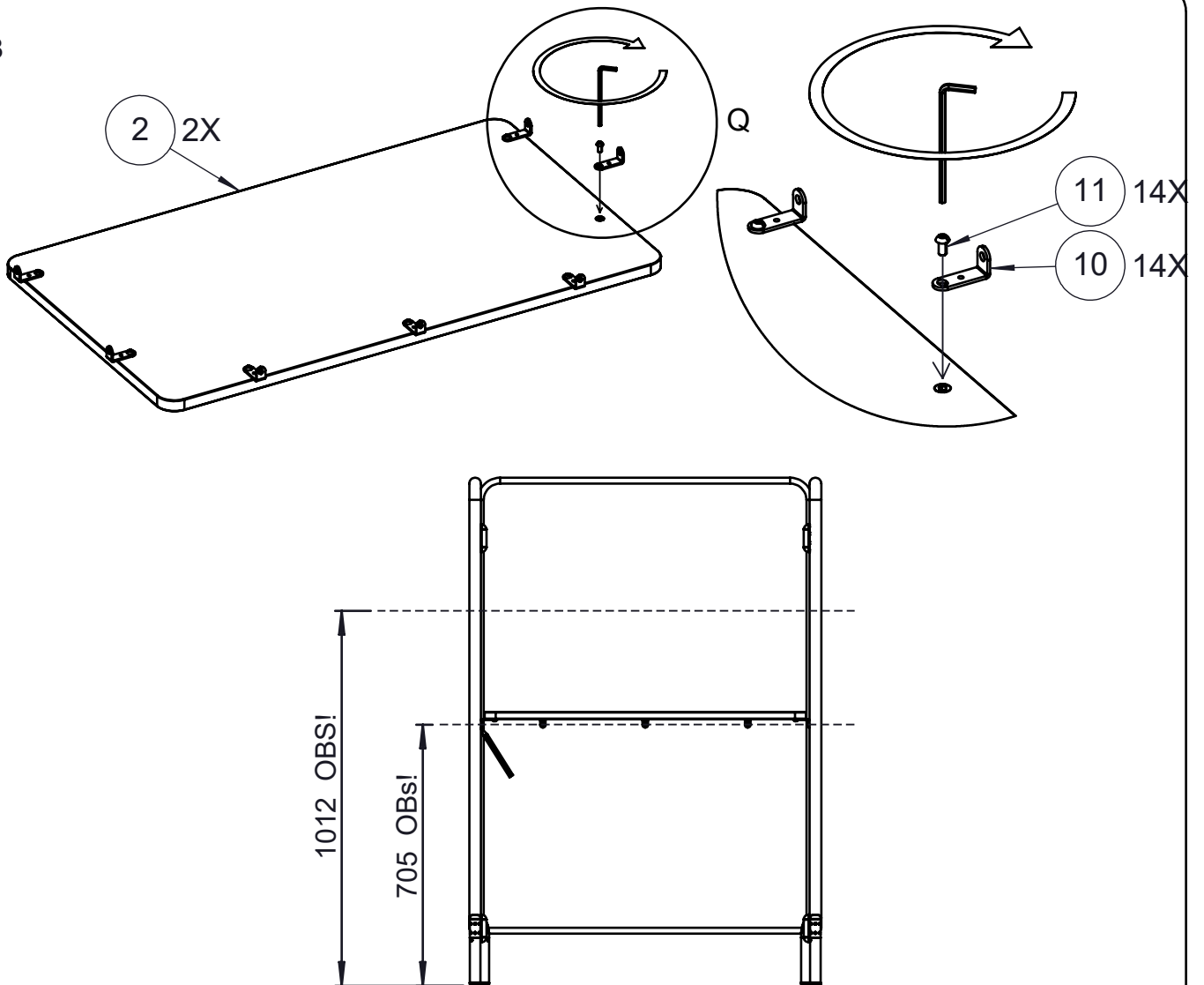
6



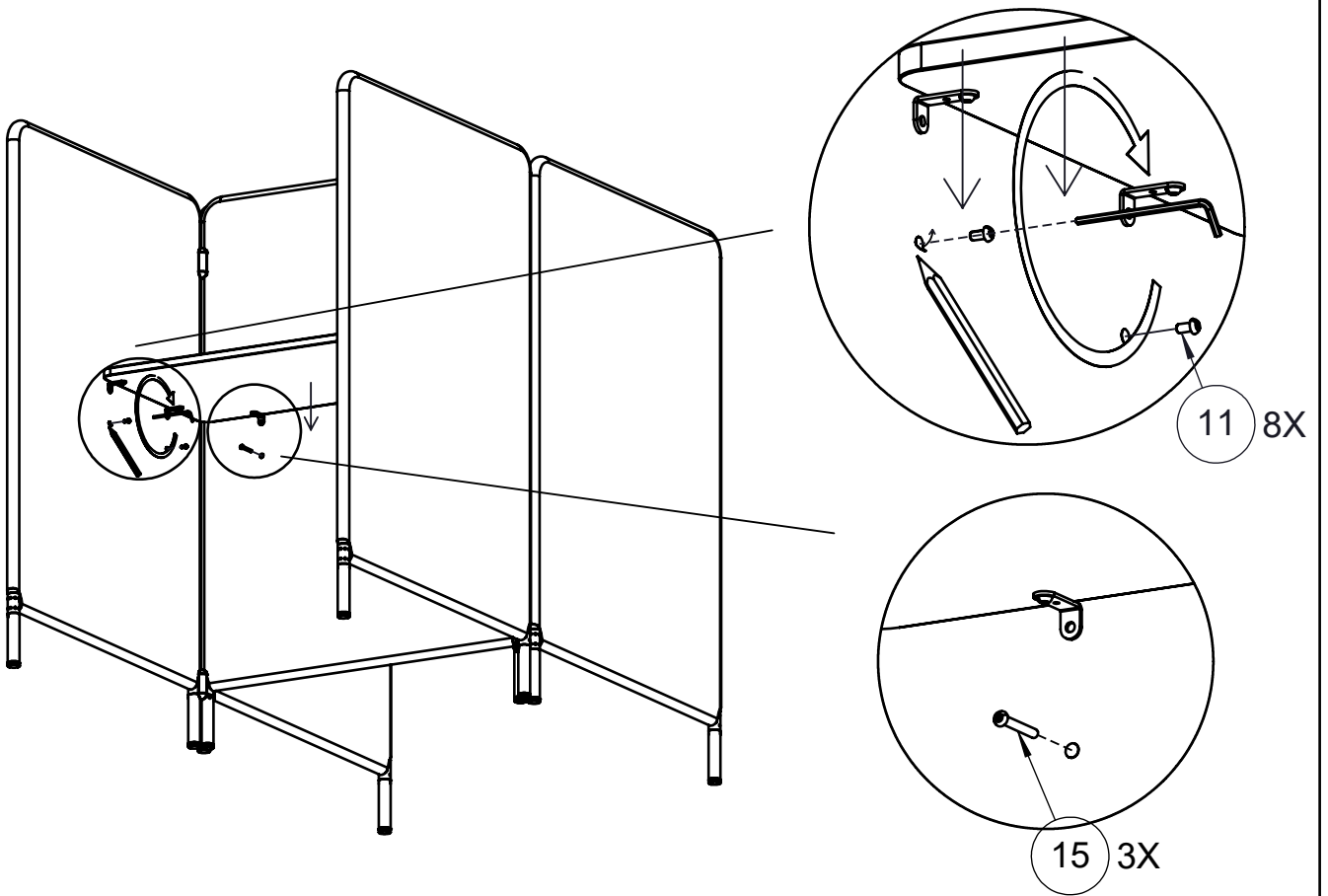
7



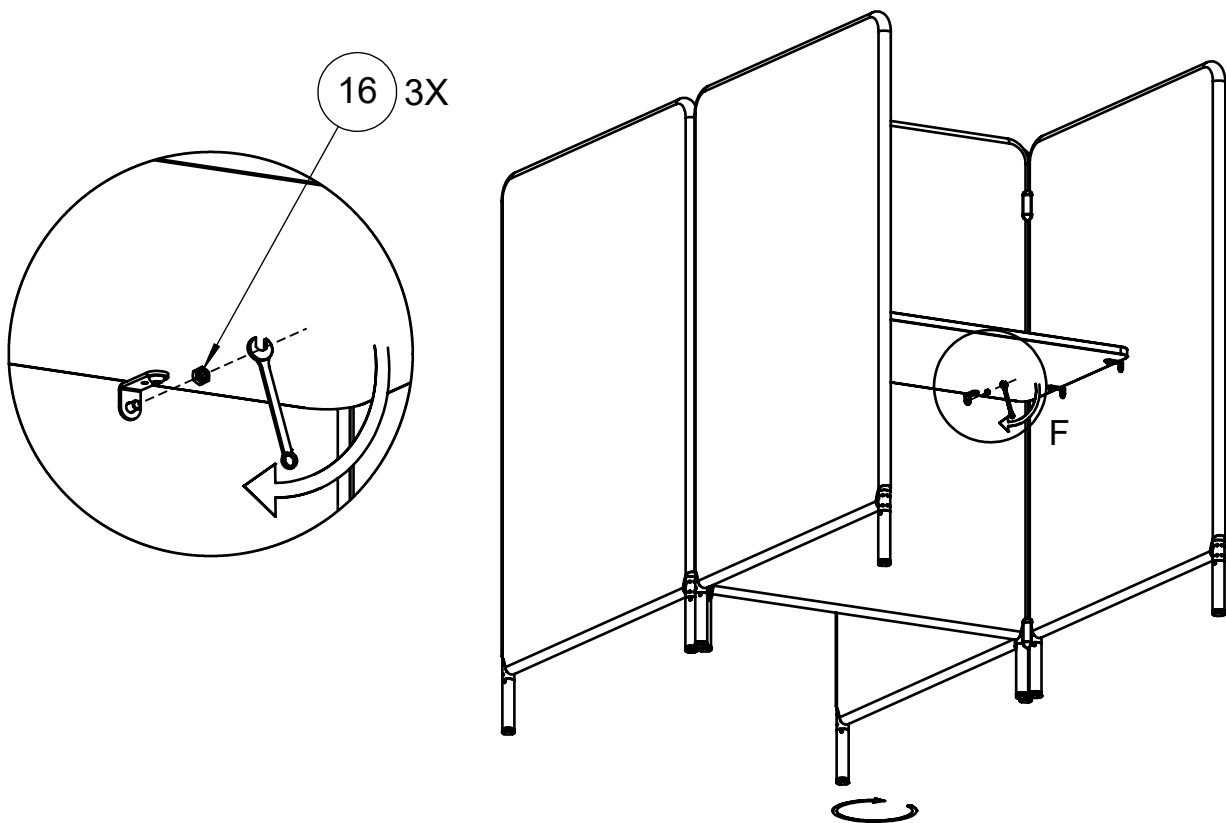
8

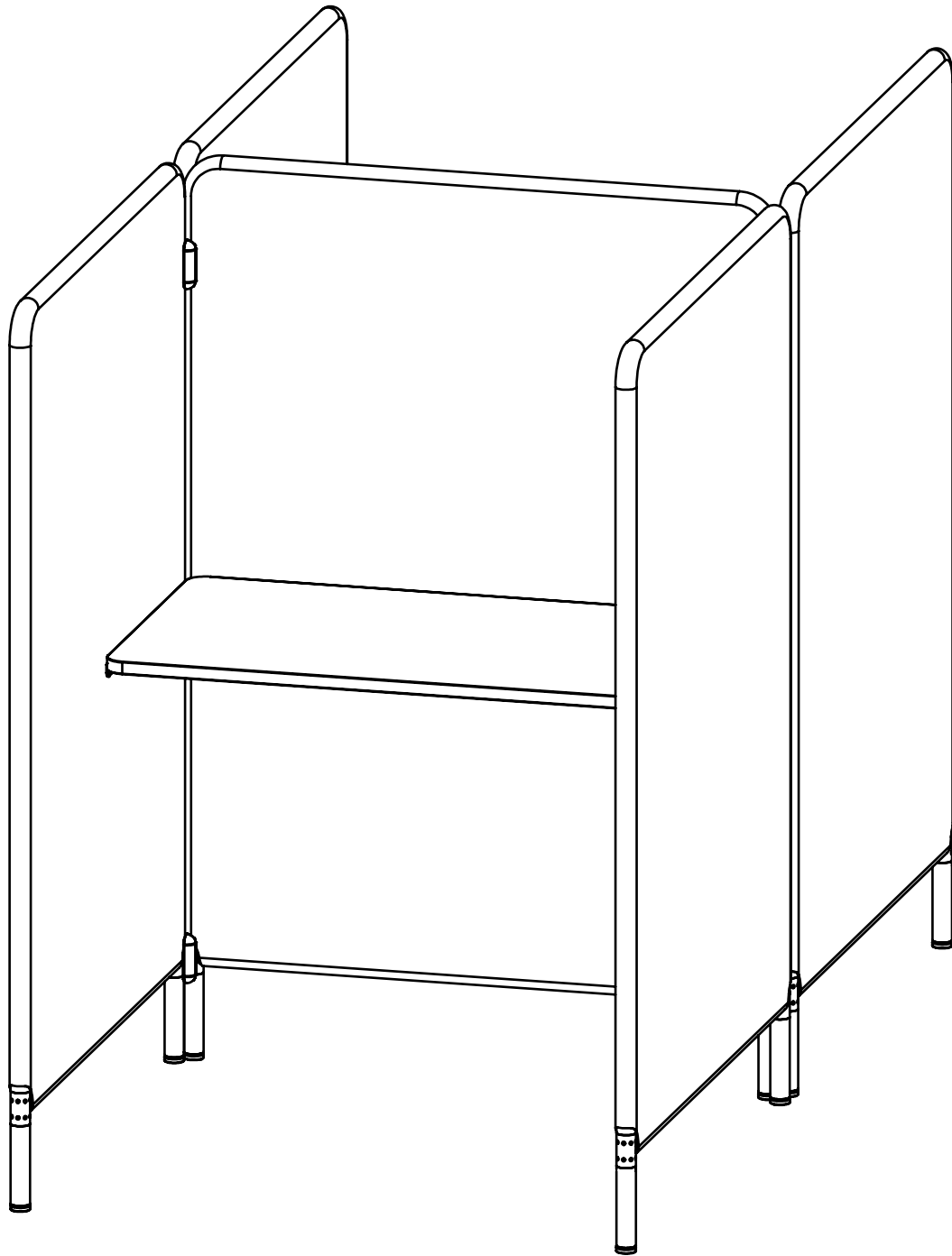


X



X





Four Design
Lucernemarken 17-19
DK-5260 Odense S.
Tel. (+45) 62 29 19 77

www.fourdesign.dk

FOUR
DESIGN


AN OCEE
INTERNATIONAL
COMPANY